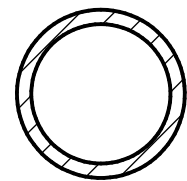


**\*\* NOTES \*\***

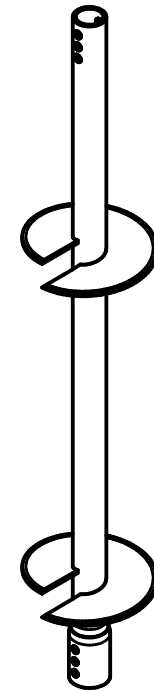
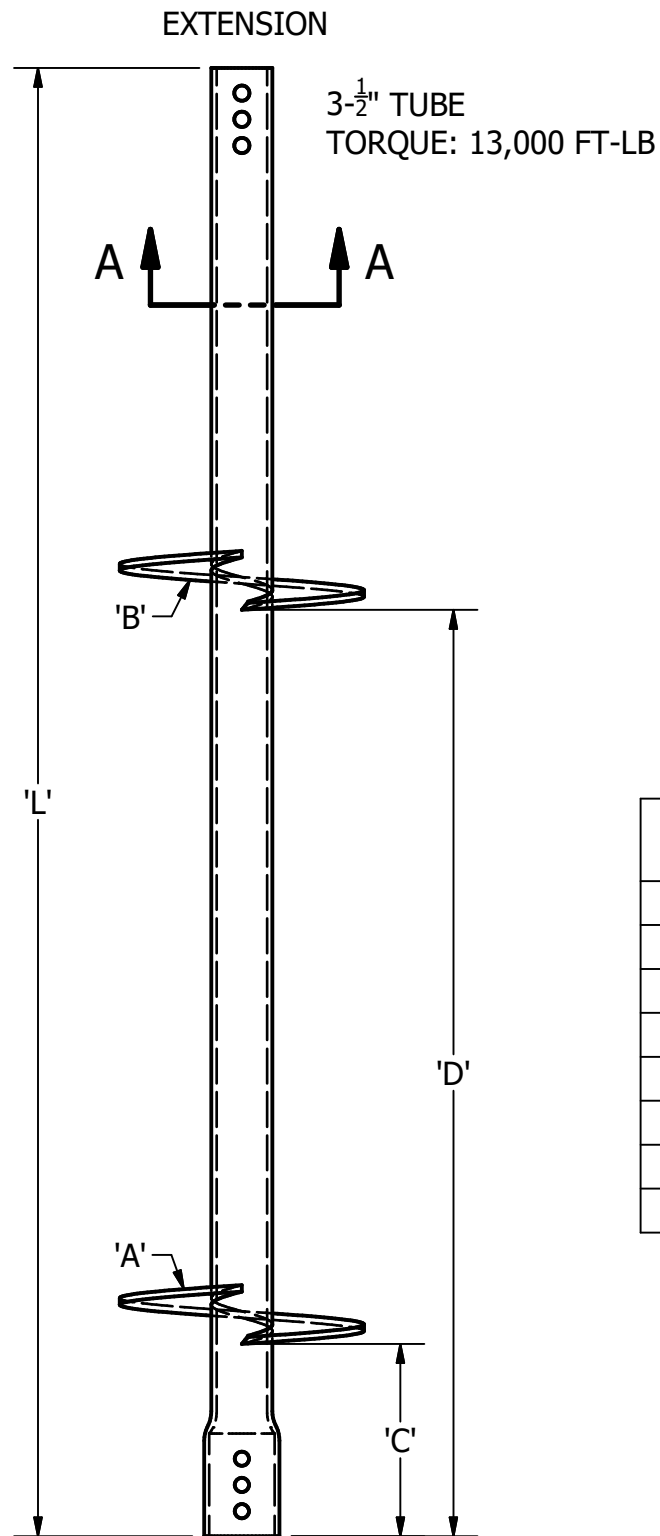
1. HOT DIP GALVANIZED PER ASTM A123 GRADE 75 (LATEST REV)
2. PIPE SHAFT MATERIAL PER ASTM A500 GRADE B MIN YIELD 50 KSI
3. HELIX SHALL BE MADE OF ASTM A572 GRADE 50 OR 80
4. COUPLING BOLTS: 3/4"Ø X 5-1/2" LONG HEX HEAD PER SAE J429 GRADE 8
5. ADD "NH" TO THE END OF THE CATALOG NUMBER FOR EXTENSIONS WITH NO HARDWARE INCLUDED FOR COUPLING
6. MANUFACTURER TO HAVE IN EFFECT INDUSTRY RECOGNIZED WRITTEN QUALITY CONTROL FOR ALL MATERIALS AND MANUFACTURING PROCESSES
7. ALL WELDING TO BE DONE BY WELDERS CERTIFIED UNDER SECTION 5 OF THE AWS CODE D1.1
8. ADD 'H' TO FRONT OF CATALOG NUMBER FOR 1/2" THICK HELICES
9. ICC-ESR-3559



**SECTION A-A  
SCALE 1/4**

DESCRIPTION	IMPERIAL	METRIC
SHAFT SIZE, OD	3.5 IN	88.9 mm
WALL THICKNESS	0.300 IN	7.62 mm
MOMENT OF INERTIA (I)*	3.8943 IN <sup>4</sup>	1.62x10 <sup>6</sup> mm <sup>4</sup>
SHAFT AREA (A)*	3.0159 IN <sup>2</sup>	1945.74 mm <sup>2</sup>
SECTION MODULUS (SX-X)*	2.2253 IN <sup>3</sup>	36466.63 mm <sup>3</sup>
TORQUE	13,000 FT.LBS	17,625.6 Nm
ULTIMATE CAPACITY	115,000 LBS.	52,163.1 kg
MAX TORQUE VERIFIABLE LOAD	104,000 LBS.	47,173.6 kg

# HELICAL PILES



PART NUMBER	DESCRIPTION	'L'	'A'	'B'	'C'	'D'
TAE-350-36	36" EXTENSION	36				
TAE-350-42	42" EXTENSION	42				
TAE-350-42-14	42" EXTENSION W/ 3/8" x 14" HELICAL	42	14		17	
TAE-350-60	60" EXTENSION	60				
TAE-350-84	84" EXTENSION	84				
TAE-350-84-14	84" EXTENSION W/ 3/8" x 14" HELICAL	84	14		17	
TAE-350-84-14-14	84" EXTENSION W/ 3/8" x 14"/14" HELICAL	84	14	14	17	59
TAE-350-120	120" EXTENSION	120				



**Earth Contact Products**

TITLE  
**HELICAL PILES  
TAE-350**

CONFIDENTIAL: THIS DRAWING AND ITS CONTENTS ARE CONFIDENTIAL AND THE EXCLUSIVE PROPERTY OF EARTH CONTACT PRODUCTS, LLC. NO PUBLICATION, DISTRIBUTION, OR COPIES MAY BE MADE WITHOUT THE WRITTEN CONSENT OF ECP. ALL RIGHTS RESERVED UNDER THE COPYRIGHT LAWS.

SIZE <b>A</b>	CAT / PART / ASSY NO. <b>SEE CHART</b>	DWG NO. <b>SD-TAE-350</b>	REV <b>D</b>
DO NOT SCALE THIS DRAWING	DRN BY <b>GDR</b>	DATE <b>4/11/23</b>	SHEET <b>1 OF 1</b>