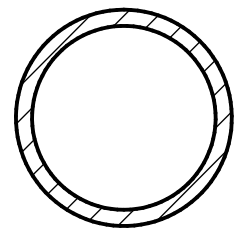
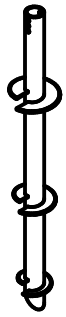


** NOTES **

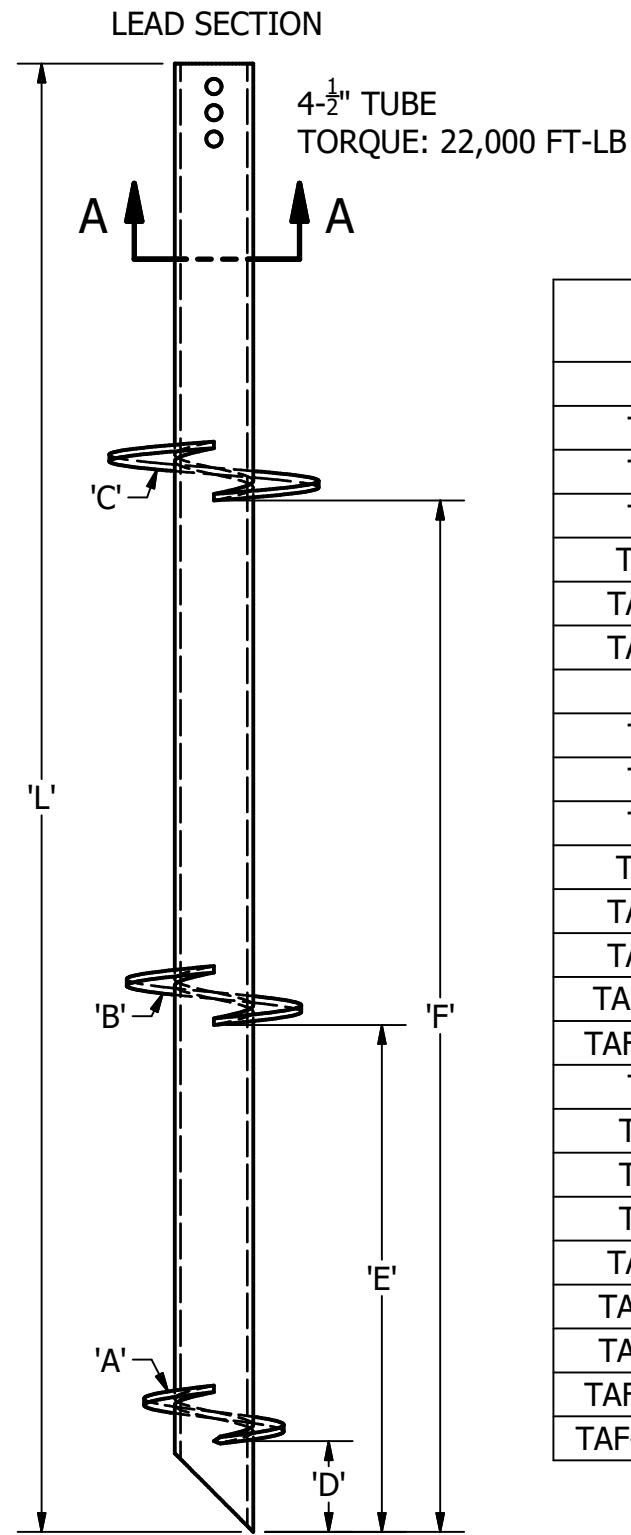
1. HOT DIP GALVANIZED PER ASTM A123 GRADE 75 (LATEST REV)
2. PIPE SHAFT MATERIAL PER ASTM A500 GRADE B MIN YIELD 50 KSI
3. HELIX SHALL BE MADE OF ASTM A572 GRADE 50 OR 80
4. COUPLING BOLTS: 1.0"Ø X 6" LONG HEX HEAD PER SAE J429 GRADE 8
5. MANUFACTURER TO HAVE IN EFFECT INDUSTRY RECOGNIZED WRITTEN QUALITY CONTROL FOR ALL MATERIALS AND MANUFACTURING PROCESSES
6. ALL WELDING TO BE DONE BY WELDERS CERTIFIED UNDER SECTION 5 OF THE AWS CODE D1.1
7. ADD 'H' TO FRONT OF CATALOG NUMBER FOR ½" THICK HELICES

HELICAL PILES



SECTION A-A
SCALE 1/4

DESCRIPTION	IMPERIAL	METRIC
SHAFT SIZE, OD	4.5 IN	114.3 mm
WALL THICKNESS	0.337 IN	8.5598 mm
MOMENT OF INERTIA (I)*	9.6104 IN ⁴	4.00x10 ⁶ mm ⁴
SHAFT AREA (A)*	4.4074 IN ²	2843.478 mm ²
SECTION MODULUS (SX-X)*	4.8053 IN ³	78744.76 mm ³
TORQUE	22,000 FT.LBS	29828 Nm
ULTIMATE CAPACITY	160,000 LBS.	72,574.8 kg
MAX TORQUE VERIFIABLE LOAD	154,000 LBS.	69,853.2 kg



PART NUMBER	DESCRIPTION	'L'	'A'	'B'	'C'	'D'	'E'	'F'
TAH-450-60-8	60" LEAD W/ 3/8" x 8" HELICAL	60	8			5		
TAH-450-60-10	60" LEAD W/ 3/8" x 10" HELICAL	60	10			5		
TAH-450-60-12	60" LEAD W/ 3/8" x 12" HELICAL	60	12			5		
TAH-450-60-14	60" LEAD W/ 3/8" x 14" HELICAL	60	14			5		
TAF-450-60-8-10	60" LEAD W/ 3/8" x 8" / 10" HELICALS	60	8	10		5	29	
TAF-450-60-10-12	60" LEAD W/ 3/8" x 10" / 12" HELICALS	60	10	12		5	35	
TAF-450-60-12-14	60" LEAD W/ 3/8" x 12" / 14" HELICALS	60	12	14		5	41	
TAH-450-84-8	84" LEAD W/ 3/8" x 8" HELICAL	84	8			5		
TAH-450-84-10	84" LEAD W/ 3/8" x 10" HELICAL	84	10			5		
TAH-450-84-12	84" LEAD W/ 3/8" x 12" HELICAL	84	12			5		
TAH-450-84-14	84" LEAD W/ 3/8" x 14" HELICAL	84	14			5		
TAF-450-84-8-10	84" LEAD W/ 3/8" x 8" / 10" HELICALS	84	8	10		5	29	
TAF-450-84-10-12	84" LEAD W/ 3/8" x 10" / 12" HELICALS	84	10	12		5	35	
TAF-450-84-12-14	84" LEAD W/ 3/8" x 12" / 14" HELICALS	84	12	14		5	41	
TAF-450-84-8-10-12	84" LEAD W/ 3/8" x 8"/10"/12" HELICALS	84	8	10	12	5	29	59
TAF-450-84-10-12-14	84" LEAD W/ 3/8" x 10"/12"/14" HELICALS	84	10	12	14	5	35	71
TAH-450-120-8	120" LEAD W/ 3/8" x 8" HELICAL	120	8			5		
TAH-450-120-10	120" LEAD W/ 3/8" x 10" HELICAL	120	10			5		
TAH-450-120-12	120" LEAD W/ 3/8" x 12" HELICAL	120	12			5		
TAH-450-120-14	120" LEAD W/ 3/8" x 14" HELICAL	120	14			5		
TAF-450-120-8-10	120" LEAD W/ 3/8" x 8" / 10" HELICALS	120	8	10		5	29	
TAF-450-120-10-12	120" LEAD W/ 3/8" x 10" / 12" HELICALS	120	10	12		5	41	
TAF-450-120-12-14	120" LEAD W/ 3/8" x 12" / 14" HELICALS	120	12	14		5	41	
TAF-450-120-8-10-12	120" LEAD W/ 3/8" x 8"/10"/12" HELICALS	120	8	10	12	5	29	59
TAF-450-120-10-12-14	120" LEAD W/ 3/8" x 10"/12"/14" HELICALS	120	10	12	14	5	35	71



Earth Contact Products

CONFIDENTIAL: THIS DRAWING AND ITS CONTENTS ARE CONFIDENTIAL AND THE EXCLUSIVE PROPERTY OF EARTH CONTACT PRODUCTS, LLC. NO PUBLICATION, DISTRIBUTION, OR COPIES MAY BE MADE WITHOUT THE WRITTEN CONSENT OF ECP. ALL RIGHTS RESERVED UNDER THE COPYRIGHT LAWS.

TITLE HELICAL PILES TAF-450 / TAH-450			
SIZE A	CAT / PART / ASSY NO. SEE CHART	DWG NO. SD-TA-450	REV D
DO NOT SCALE THIS DRAWING	DRN BY GDR	DATE 4/11/23	SHEET 1 OF 1