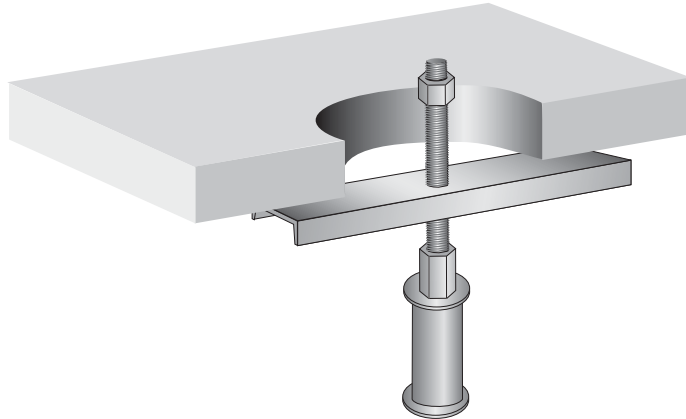


TAB-150-SSB - Manual Slab Bracket**Product Specifications**

Product Style	Helical Manual Slab Bracket
Component	TAB-150-HSB Manual Slab Bracket
Ultimate Capacity	8 Kips
Material	Steel Channel C4 x 5.4
Length	15"
Width	4"
Thickness	.184"
Access Hole Required	8" Dia
Coating	Black (Galvanized Optional)
Standard Package	1
Weight	12 lbs

Notes

Used with TA-150 helicals.