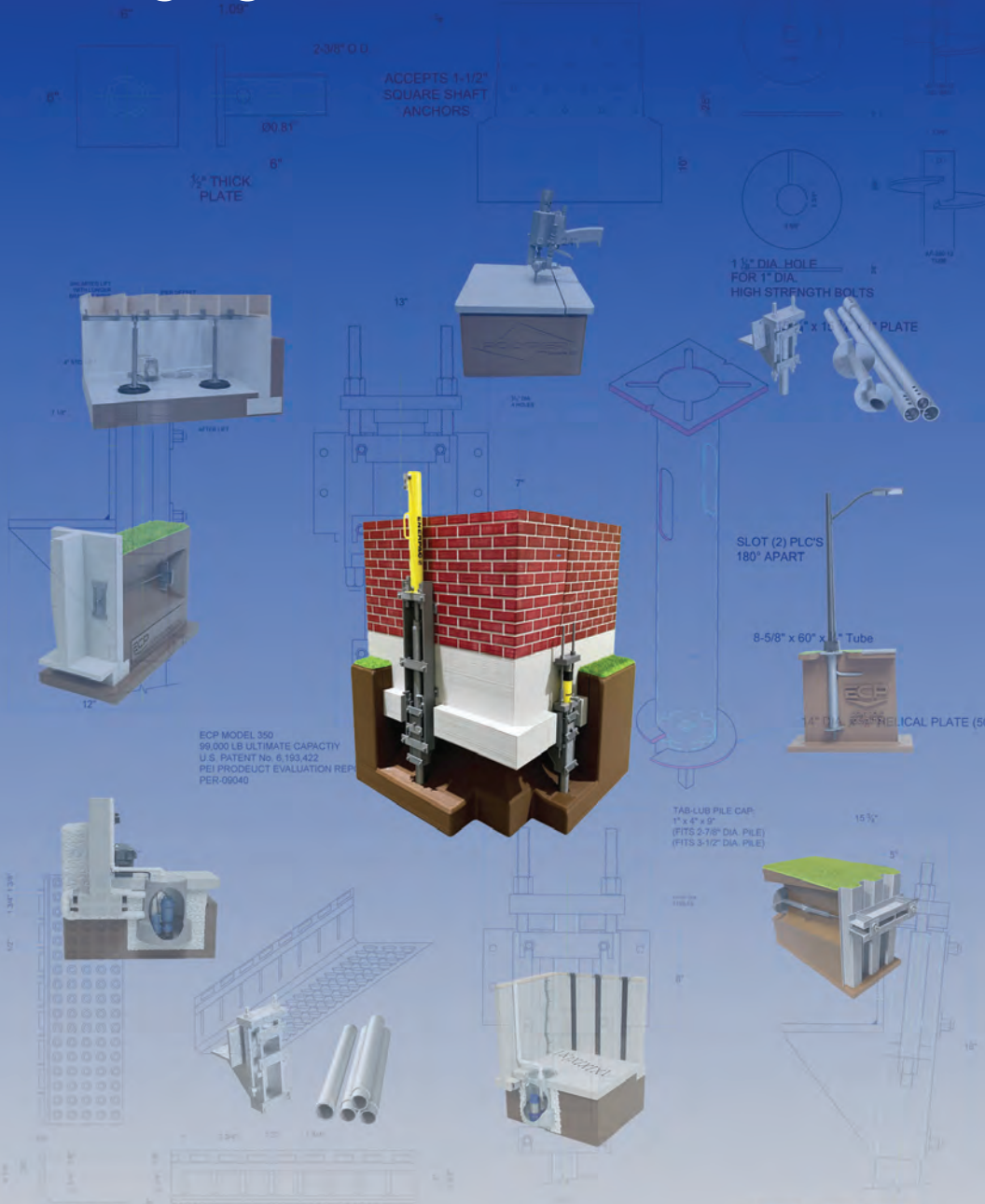


E.C.P. Scaled 3D Printed Models Bringing Structural Solutions to Life



ECP MODEL 350
 99,000 LB ULTIMATE CAPACITY
 U.S. PATENT No. 6,193,422
 PEI PRODECT EVALUATION REP.
 PER-0040



I. Foundation Support Systems:

Hanging House Models	Page 2.
Quarter Scale Push Pier Moving Wall	Page 3.
Eighth Scale Push Pier Moving Wall	Page 4.
Eighth Scale Helical Moving Wall	Page 4.
Plate Anchor Model	Page 5.
Tie-Back Model	Page 5.
Half Scale Concentric Pier Kit	Page 6.
Half Scale Eccentric Pier Kit	Page 6.
Half Scale Large Helical Kit	Page 7.
Half Scale Medium Helical Kit	Page 7.
Half Scale Push Pier House	Page 8.

II. Civil/Commercial Applications:

Light Pole Foundation Model	Page 9.
DriveCast Model	Page 9.
MP 350 Micropile Model	Page 9.
Support of Excavation (SOE) Model	Page 10.
Seawall with Concrete cap	Page 10.

III. Waterproofing Solutions:

Drainage Models

4" Drain Tile Model	Page 11.
Form-a-Drain Model	Page 11.

Waterproofing System Models

Crack Solutions Model	Page 12.
Sump Pit with Pumps Model	Page 12.
Crawl Space Model	Page 13.
Carbon Fiber Model	Page 13.

IV. Polyurethane Lifting Foam:

PolyPier Model	Page 14.
----------------	----------

V. Showcase Collection - Quarter Scale Professional Set:

19-Piece Set: Comprehensive collection of quarter-scale brackets, anchors, and components.	Page 15.
12-PieceSet: Push Pier quarter-scale models	Page 16.
17-PieceSet: Helicalquarter-scale models	Page 16.

VI. Full Scale Brackets

Push Pier: PPB-350 and PPB-300	Page 17.
Helical: TAB-288-LUB and TAB-288-MUB	Page 18.

Contact us for custom branding options and specialized model development.

Foundation Support Systems:

Hanging House Models (1/24 Scale): Illustrate foundation repair principles.

Hanging House Helical Model:

A detailed 3D-printed model representing a helical pile system, perfect for demonstrating installation techniques and load distribution in foundation repair.

Dimensions: 16.5" X 2.5" X 18.25"

(\$599) MRK-HH-PP
Special order 4 to 6 weeks



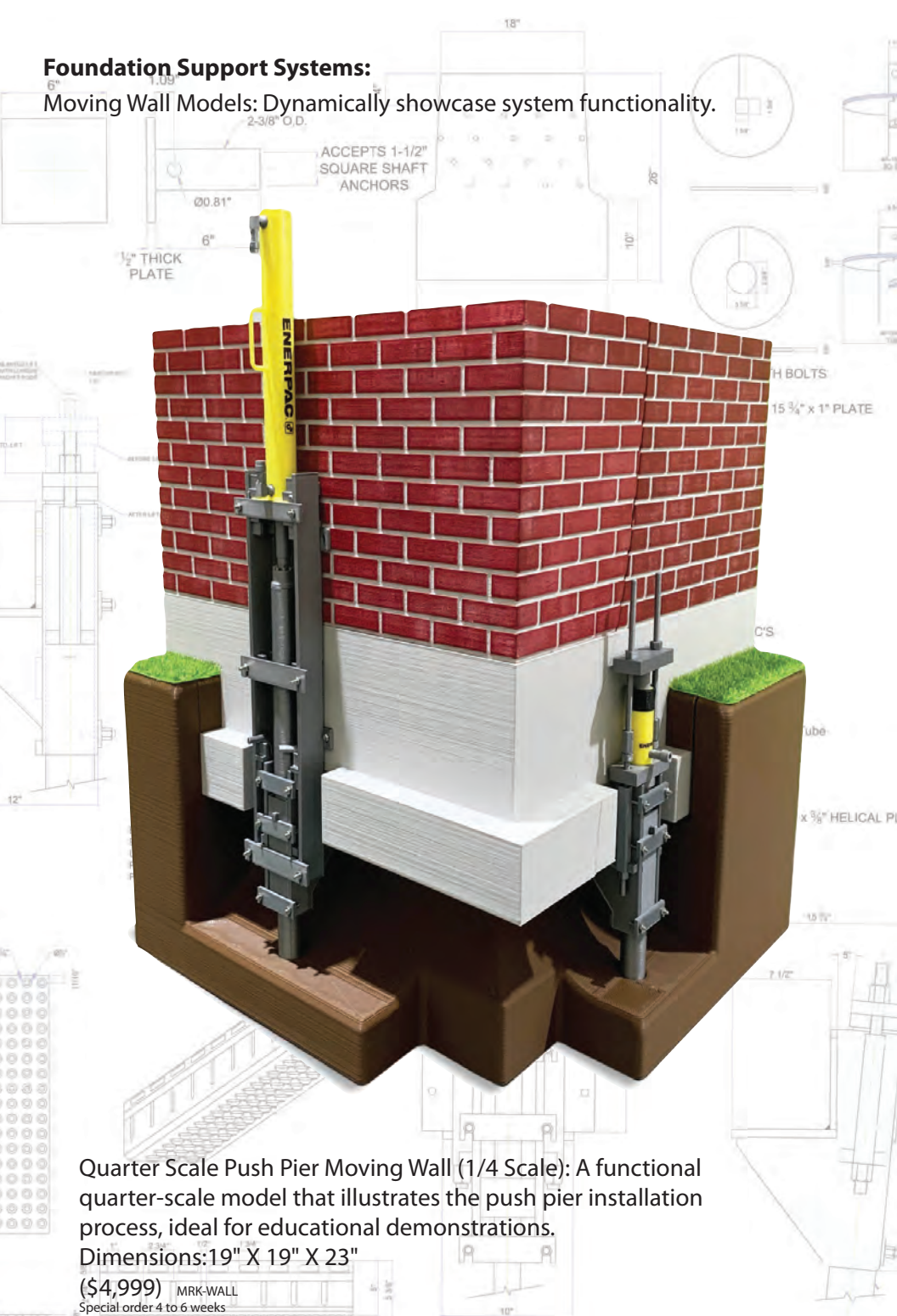
Hanging House Push Pier Model:
This model showcases the push pier system used for stabilizing and lifting foundations, designed for easy demonstration to clients.

Dimensions: 16.5" X 2.5" X 18.25"

(\$599) MRK-HH-HEL
Special order 4 to 6 weeks

Foundation Support Systems:

Moving Wall Models: Dynamically showcase system functionality.



Quarter Scale Push Pier Moving Wall (1/4 Scale): A functional quarter-scale model that illustrates the push pier installation process, ideal for educational demonstrations. Dimensions: 19" X 19" X 23"

(\$4,999) MRK-WALL
Special order 4 to 6 weeks

Foundation Support Systems:

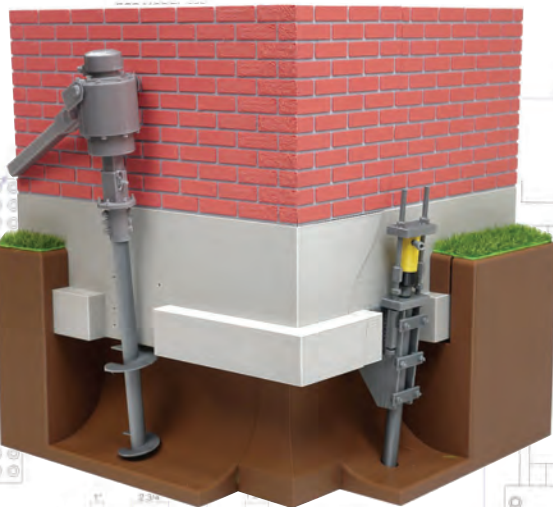
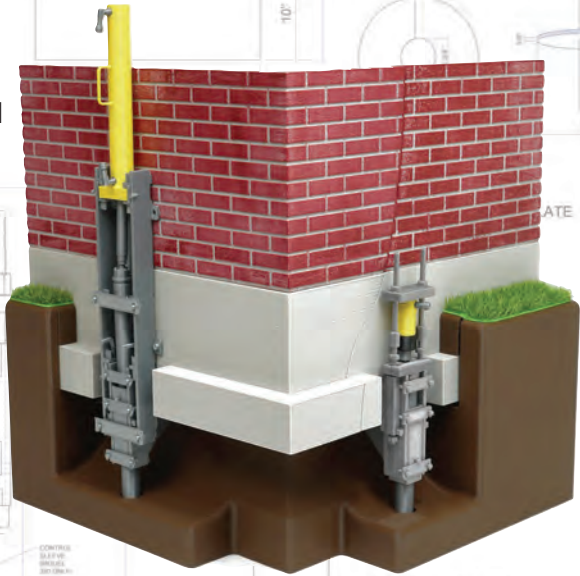
Moving Wall Models: Dynamically showcase system functionality.

Eighth Scale Push Pier Moving Wall (1/8 Scale): A compact version of the quarter-scale model, designed for easy transport and presentation while maintaining detail.

Dimensions: 9.25" X 9.25" X 11.5"

(\$999) MRK-MINI WALL PUSHPIER

Stocked item



Eighth Scale Helical Moving Wall (1/8 Scale): Demonstrates the installation and functionality of helical piles in a smaller, easily manageable format, suitable for client education.

Dimensions: 9.25" X 9.25" X 10"

(\$999) MRK-MINI WALL HELICAL

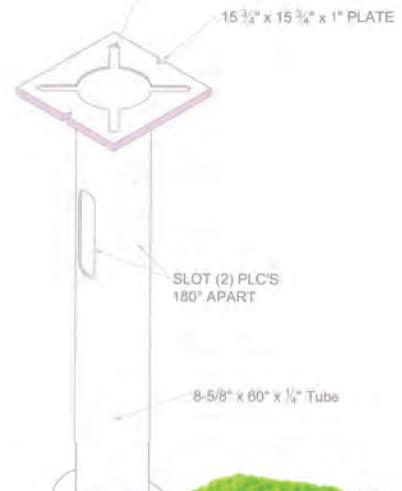
Stocked item

Foundation Support Systems:

Plate Anchor Model: This model shows the operation of a plate anchor system for lateral stabilization. Designed for easy demonstration and portability.

Dimensions: 4.25" X 10" X 7.5"

(\$599) MRK-PA
Stocked item

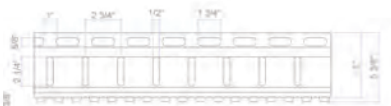


ECP MODEL 350
99,000 LB ULTIMATE CAPACITY
U.S. PATENT No. 6,193,422
PEI PRODUCT EVALUATION REPORT
PER-09040

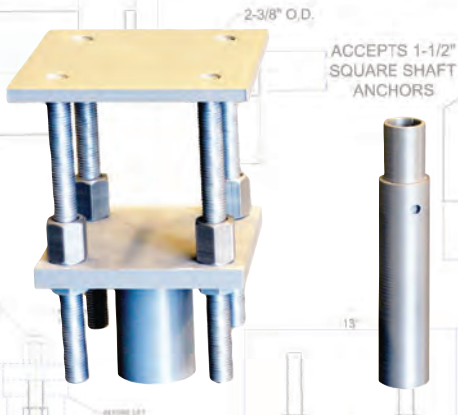
Tie-Back Model: This model illustrates the tie-back system used in retaining walls, offering a visual representation of its functionality.

Dimensions: 4.25" X 10" X 7.5"

(\$599) MRK-TIE-BACK
Stocked item



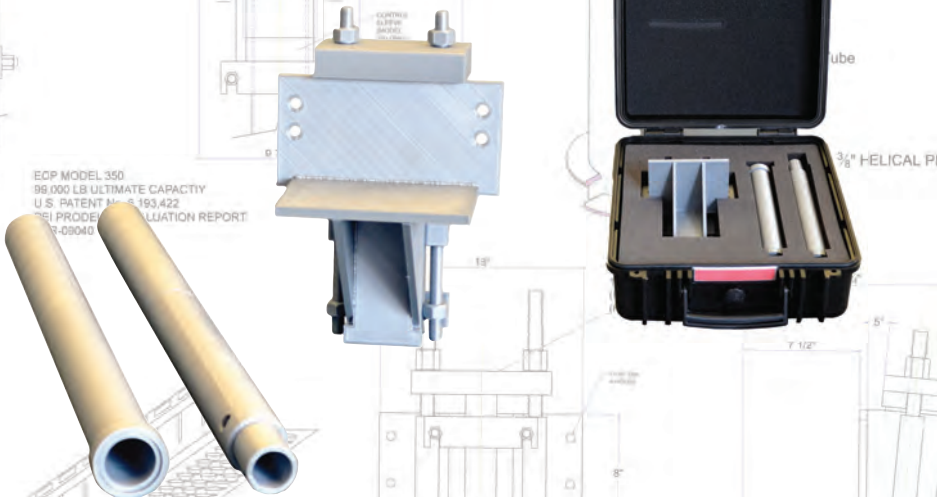
Foundation Support Systems:



Half Scale Concentric Pier Kit: A detailed model kit showcasing concentric pier systems, ideal for hands-on demonstrations and assembly training.

Dimensions: 11" X 8" X 10" (Case)

(\$999) MRK-CON-PIER
Special order 4 to 6 weeks

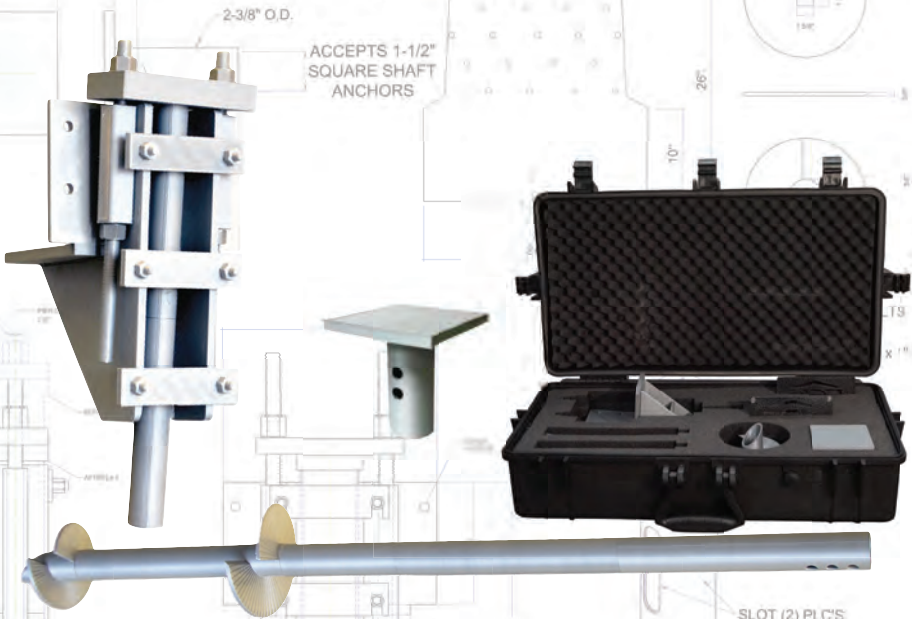


Half Scale Eccentric Pier Kit: A model kit designed for eccentric pier systems, perfect for visualizing load-bearing solutions.

Dimensions: 13" X 14" X 7" (Case)

(\$999) MRK-ECC-PIER
Special order 4 to 6 weeks

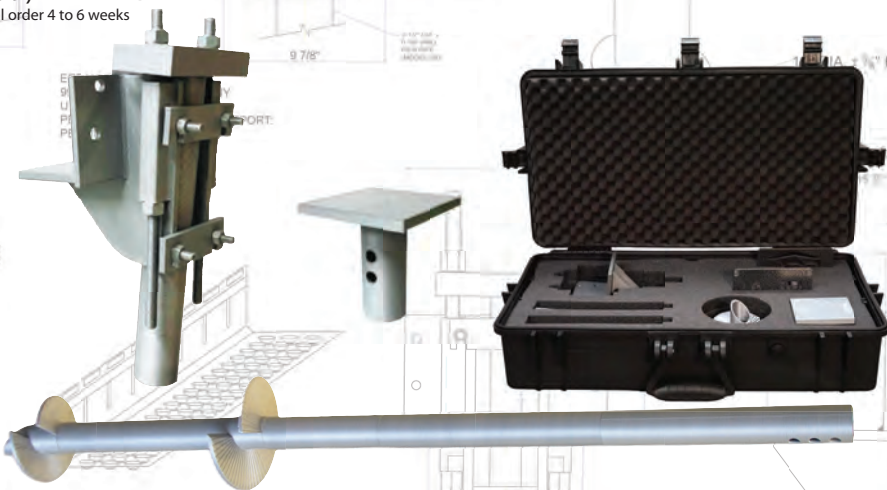
Foundation Support Systems:



Half Scale Large Helical Kit: A comprehensive model kit illustrating the large helical pile system, perfect for demonstrations of strength and stability.

Dimensions: 22" X 14" X 8" (Case)

(\$999) MRK-HEL-MED
Special order 4 to 6 weeks

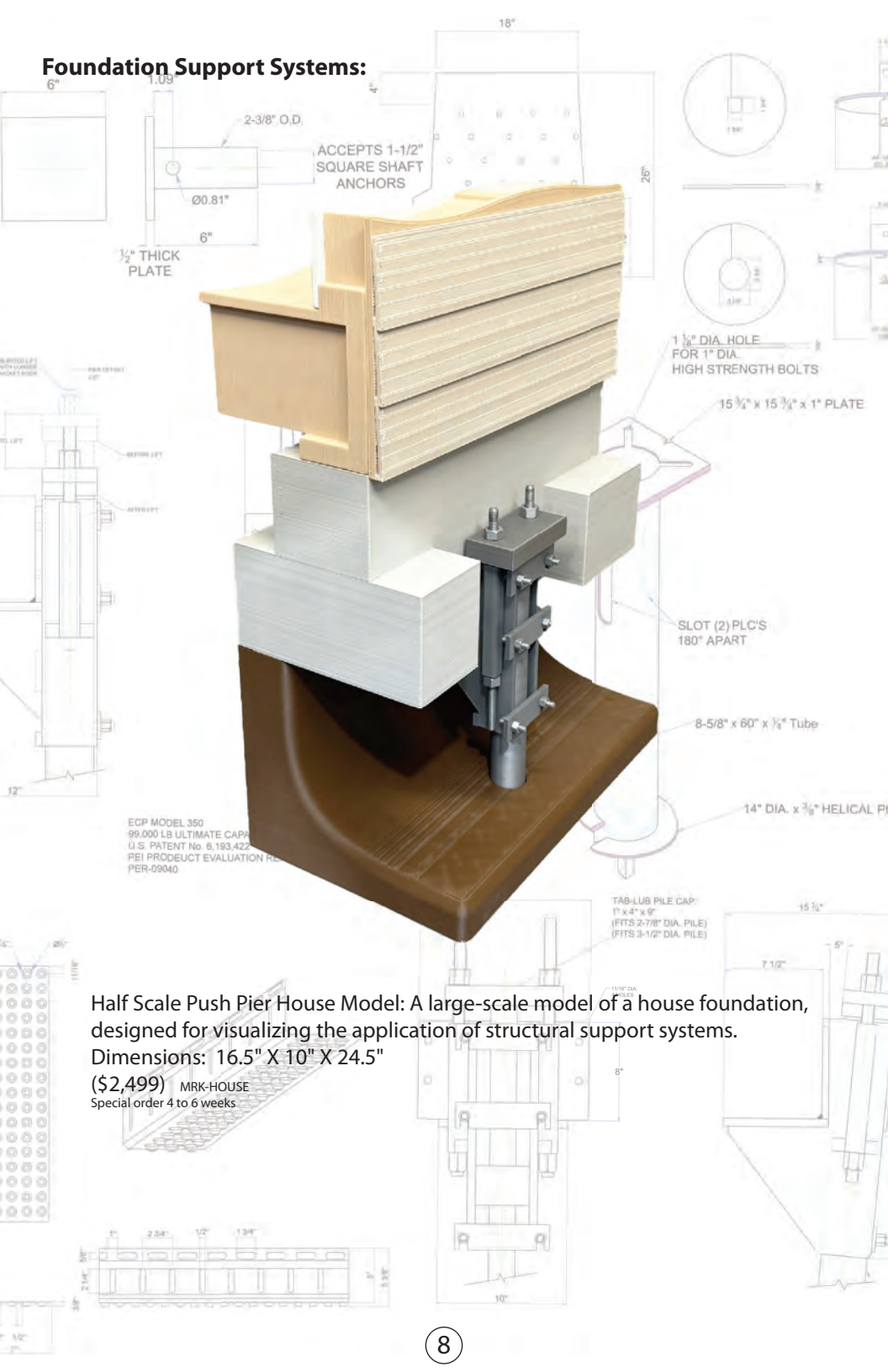


Half Scale Medium Helical Kit: A medium-sized helical pile model for detailed demonstrations of helical system functionality.

Dimensions: 22" X 14" X 8" (Case)

(\$999) MRK-HEL-LG
Special order 4 to 6 weeks

Foundation Support Systems:



ECP MODEL 350
 99,000 LB ULTIMATE CAPACITY
 U.S. PATENT No. 6,193,422
 PEI PRODUCT EVALUATION REPORT
 PER-09040

TAB-LUS PILE CAP:
 1' x 4' x 9"
 (FITS 2-7/8" DIA. PILE)
 (FITS 3-1/2" DIA. PILE)

Half Scale Push Pier House Model: A large-scale model of a house foundation, designed for visualizing the application of structural support systems.

Dimensions: 16.5" X 10" X 24.5"

(\$2,499) MRK-HOUSE
 Special order 4 to 6 weeks

II. Civil/Commercial Applications:

MP 350 Micropile Model (1/12 Scale): A scaled version of the MP 350 micropile system, demonstrating its high-capacity load-bearing capabilities.

Dimensions: 5" X 2.5" X 8.75"

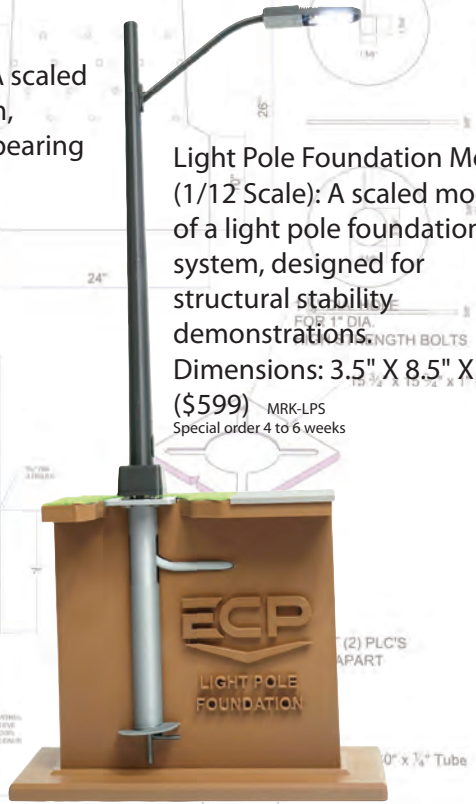
(\$599) MRK-MICROPILE
Special order 4 to 6 weeks



Light Pole Foundation Model (1/12 Scale): A scaled model of a light pole foundation system, designed for structural stability demonstrations.

Dimensions: 3.5" X 8.5" X 18"

(\$599) MRK-LPS
Special order 4 to 6 weeks



ECP MODEL 350



DriveCast Model (1/24 Scale): A detailed model of the DriveCast foundation system, showcasing its application in stabilizing structures.

Dimensions: 4.25" X 4.75" X 10.5"

(\$599) MRK-DRIVE CAST
Special order 4 to 6 weeks

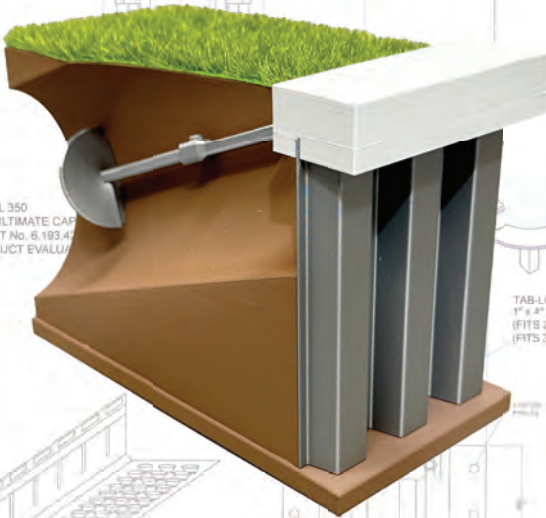
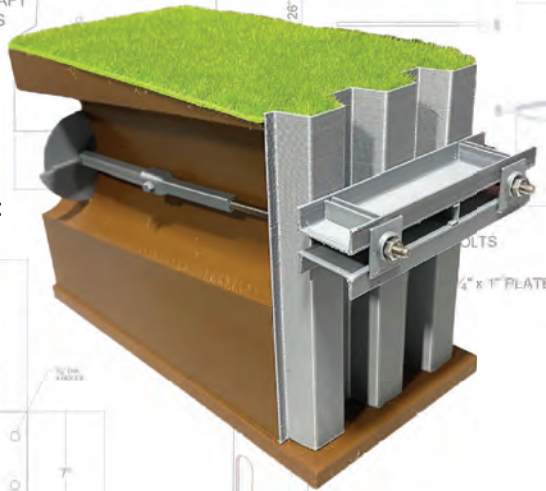
II. Civil/Commercial Applications:

Seawall Models (1/24 Scale): Coastal protection solutions.

Support of Excavation (SOE) Model:
Demonstrating excavation support
techniques for construction sites.

Dimensions: 7.75" X 3.5" X 4.75"

(\$599) MRK-SOE
Special order 4 to 6 weeks



Seawall with Concrete cap Model:
Demonstrating the use of tie-backs with
concrete caps in seawall repair and
reinforcement for coastal applications.

Dimensions: 7" X 3.5" X 5"

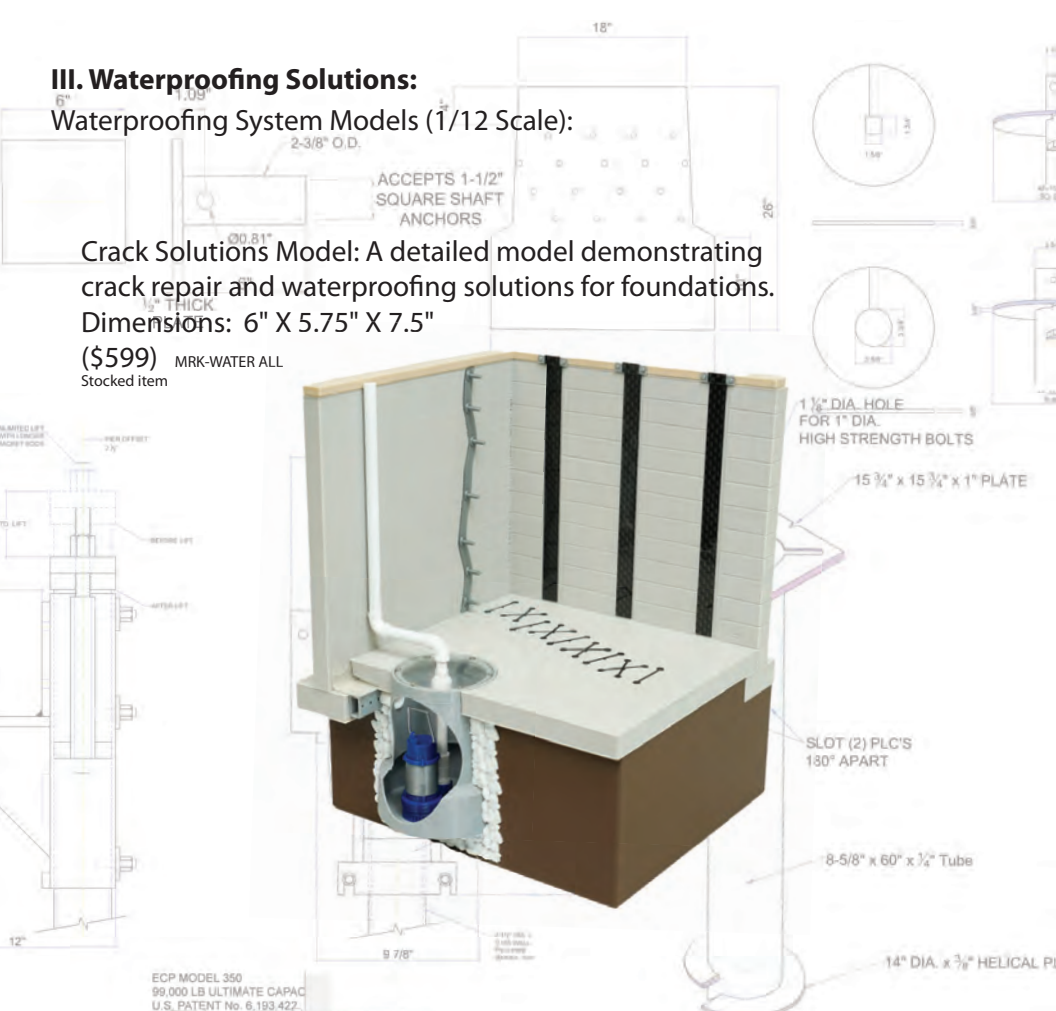
(\$599) MRK-TIEBACK-SW
Special order 4 to 6 weeks

III. Waterproofing Solutions:

Waterproofing System Models (1/12 Scale):

Crack Solutions Model: A detailed model demonstrating crack repair and waterproofing solutions for foundations.
Dimensions: 6" X 5.75" X 7.5"

(\$599) MRK-WATER ALL
 Stocked item



ECP MODEL 350
 99,000 LB ULTIMATE CAPAC
 U.S. PATENT No. 6,193,422
 PE
 PE



Sump Pit with Pumps Model:
Water Management System
Featuring a Sump Pit with Primary
and Backup Pumps.

Dimensions: 6" X 6" X 7.5"

(\$599) MRK-SUMP
 Special order 4 to 6 weeks



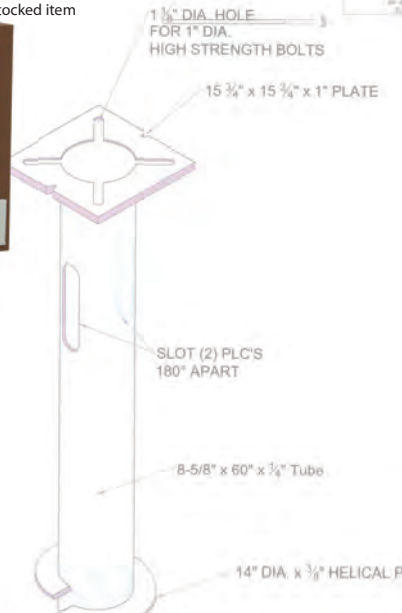
III. Waterproofing Solutions:

Waterproofing System Models (1:12 Scale):



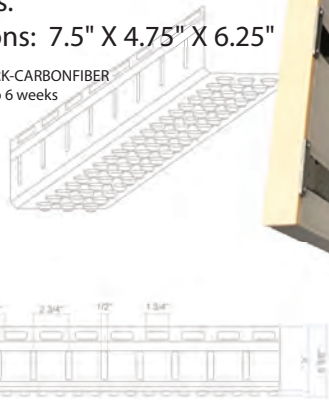
Crawl Space Model:
Demonstrates The Secure Lock Floor System, encapsulation, drainage and moisture control.
Dimensions: 7.5" X 4.75" X 6.25"

(\$599) MRK-CRAWLSPACE
Stocked item



Carbon Fiber Model:
Demonstrates carbon fiber reinforcement used to strengthen foundation walls and floors.

Dimensions: 7.5" X 4.75" X 6.25"
(\$599) MRK-CARBONFIBER
Special order 4 to 6 weeks



IV. Polyurethane Lifting Foam:

PolyPier Model (1/12 Scale): An interactive model that plays video of polyurethane foam lifting in action.

Dimensions: 7.5" X 7.25" X 9.75"

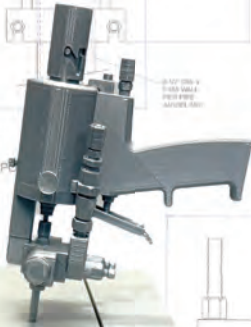
(\$999)

MRK-POLY

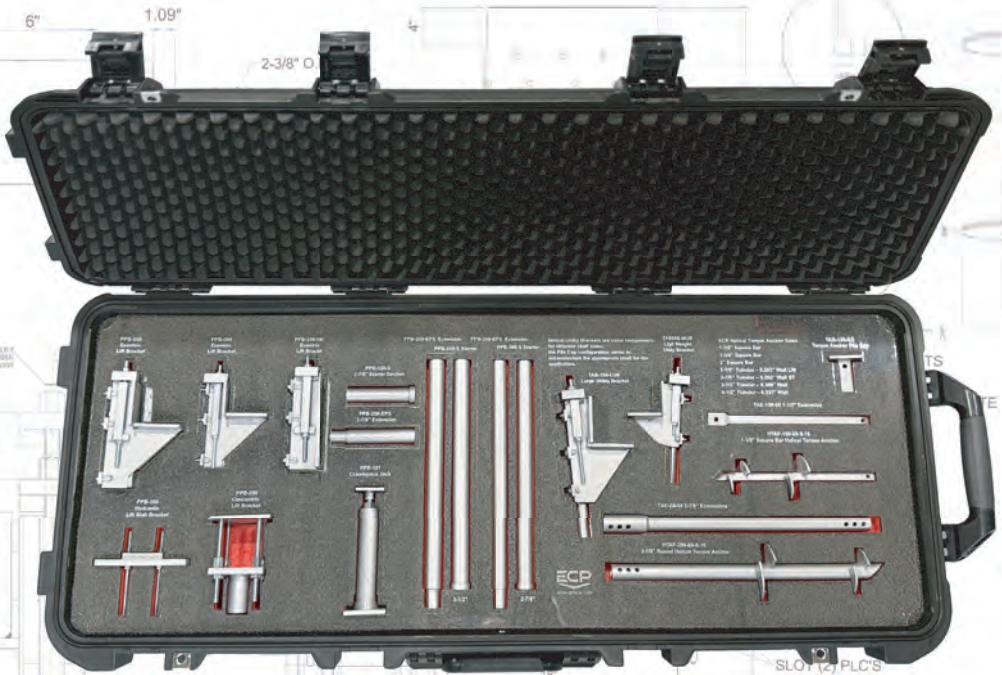
Stocked item



ECP MODEL 350
 99,000 LB ULTIMATE CAPACITY
 U.S. PATENT No. 6,193,422
 PEI PRODUCT EVALUATION REP.
 PER-05040



V. Showcase Collection - Quarter Scale Professional Set:



19-Piece Set: A comprehensive showcase of our quarter-scale models, designed for professional presentations and training, including:

- Eccentric Lift Bracket - PPB-350
- Eccentric Lift Bracket - PPB-300
- Eccentric Lift Bracket - PPB-350-WM
- Hydraulic Lift Slab Bracket - PPB-166
- Concentric Lift Bracket - PPB-250
- Crawlspace Jack - PPB-107
- 3-1/2" Extension - PPB-350-EPS
- 3-1/2" Starter Section - PPB-350-S
- 2-7/8" Extension - PPB-300-EPS
- 2-7/8" Starter Section - PPB-300-S
- Large Utility Bracket - TAB-350-LUB
- Light Weight Utility Bracket - TAB-288-MUB
- Torque Anchor Pile Cap - TAB-150-NC
- 1-1/2" Square Bar Helical Torque Anchor - HTAF-150-60-8-10
- 1-1/2" Extension - TAE-150-60
- 2-7/8" Round Helical Torque Anchor - HTAF-288-60-8-10
- 2-7/8" Round Helical Extension - TAE-288-60
- 2-7/8" Starter Section - PPB-250-S
- 2-7/8" Extension - PPB-250-EPS

Case Dimensions: 38" X 16" X 6"
 (\$2,500) MRK-SHOWCASE
 Stocked item

V. Showcase Collection - Quarter Scale Professional Set:

12-Piece Push Pier Showcase of our quarter-scale models, designed for professional presentations and training, including:

- Eccentric Lift Bracket - PPB-350
- Eccentric Lift Bracket - PPB-300
- Eccentric Lift Bracket - PPB-350-WM
- Hydraulic Lift Slab Bracket - PPB-166
- Concentric Lift Bracket - PPB-250
- Crawlspace Jack - PPB-107
- 3-1/2" Extension - PPB-350-EPS
- 3-1/2" Starter Section - PPB-350-S
- 2-7/8" Extension - PPB-300-EPS
- 2-7/8" Starter Section - PPB-300-S
- 2-7/8" Starter Section - PPB-250-S
- 2-7/8" Extension - PPB-250-EPS

Case Dimensions: 19" X 14" X 6"
(\$1,750) MRK-SHOWCASE PP
Special order 4 to 6 weeks



7-Piece Helical Showcase of our quarter-scale models, designed for professional presentations and training, including:

- Large Utility Bracket - TAB-350-LUB
- Light Weight Utility Bracket - TAB-288-MUB
- Torque Anchor Pile Cap - TAB-150-NC
- 1-1/2" Square Bar Helical Torque Anchor - HTAF-150-60-8-10
- 1-1/2" Extension - TAE-150-60
- 2-7/8" Round Helical Torque Anchor - HTAF-288-60-8-10
- 2-7/8" Round Helical Extension - TAE-288-60

Case Dimensions: 19" X 14" X 6"
(\$1,250) MRK-SHOWCASE H
Special order 4 to 6 weeks

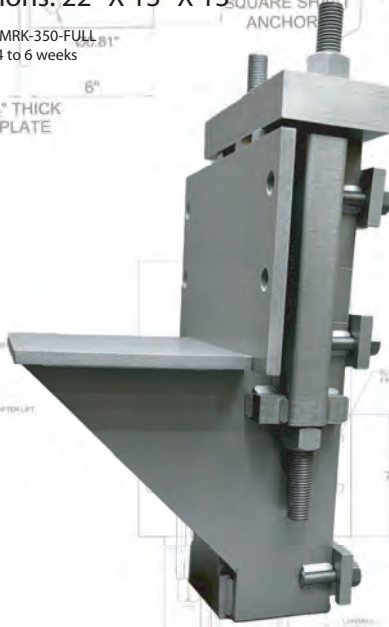


VI. Full Scale Brackets

Push Pier Bracket (Full Scale): PPB-350 Lightweight, easy to display.

Dimensions: 22" X 13" X 13"

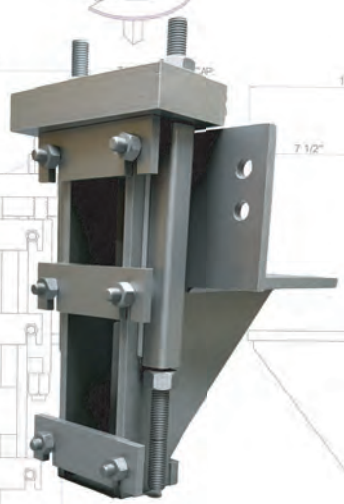
(\$999) MRK-350-FULL
Special order 4 to 6 weeks



Push Pier Bracket (Full Scale): PPB-300 Lightweight, easy to display.

Dimensions: 18" X 11.75" X 12"

(\$999) MRK-300-FULL
Special order 4 to 6 weeks

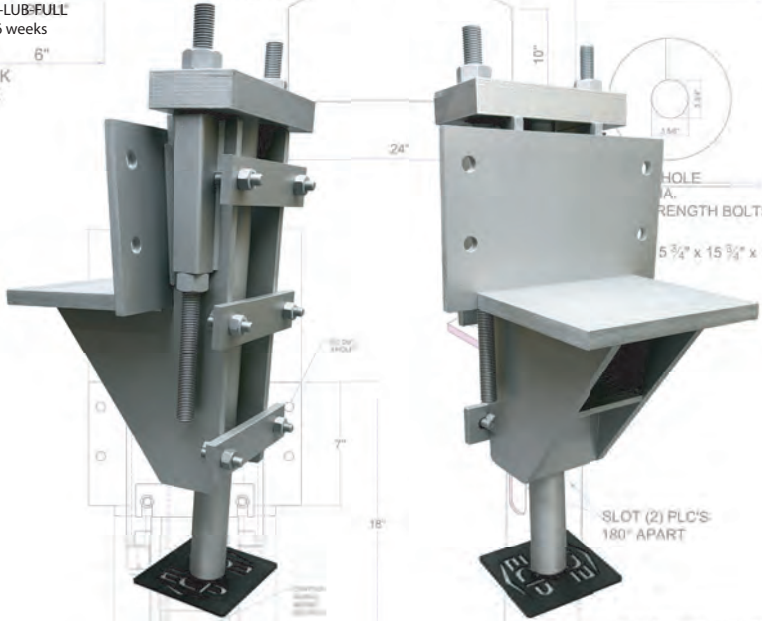


VI. Full Scale Brackets

Helical Bracket (Full Scale): TAB-288-LUB Lightweight, easy to display.

Dimensions: 28" X 13" X 13"

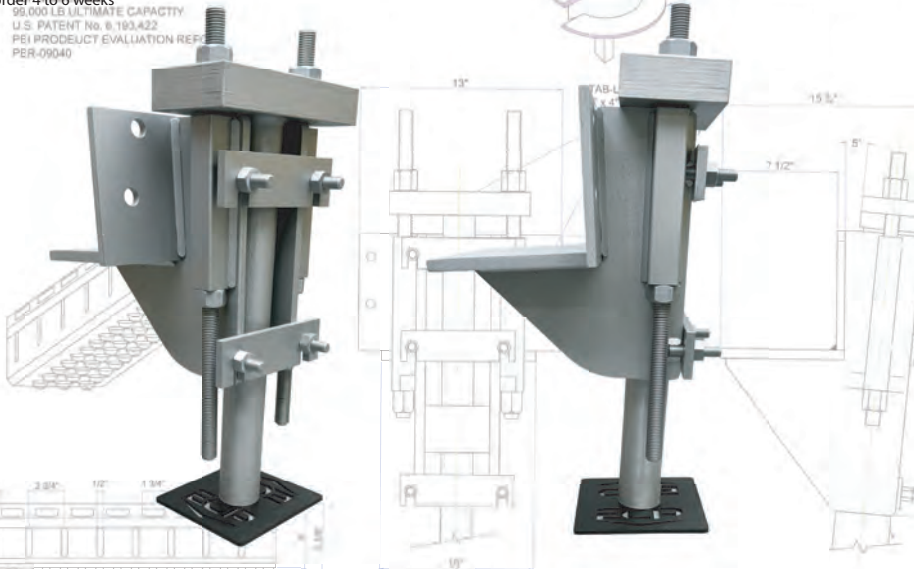
(\$999) MRK-LUB-FULL
Special order 4 to 6 weeks




Helical Bracket (Full Scale): TAB-288-MUB Lightweight, easy to display.

Dimensions: 21" X 11.75" X 11.5"

(\$999) MRK-MUB-FULL
Special order 4 to 6 weeks





E.C.P. understands that visualizing complex structural support systems can be challenging.

Our scaled 3D printed models provide a tangible and engaging way to demonstrate our solutions to clients, facilitating understanding and accelerating decision-making.

Contact us for custom branding options and specialized model development.