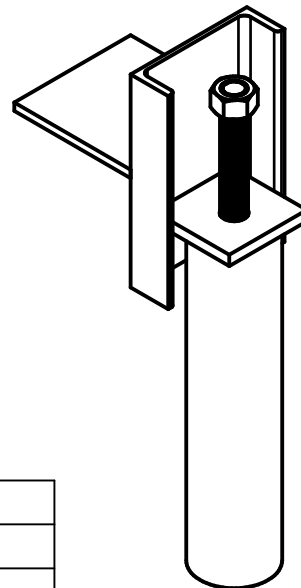
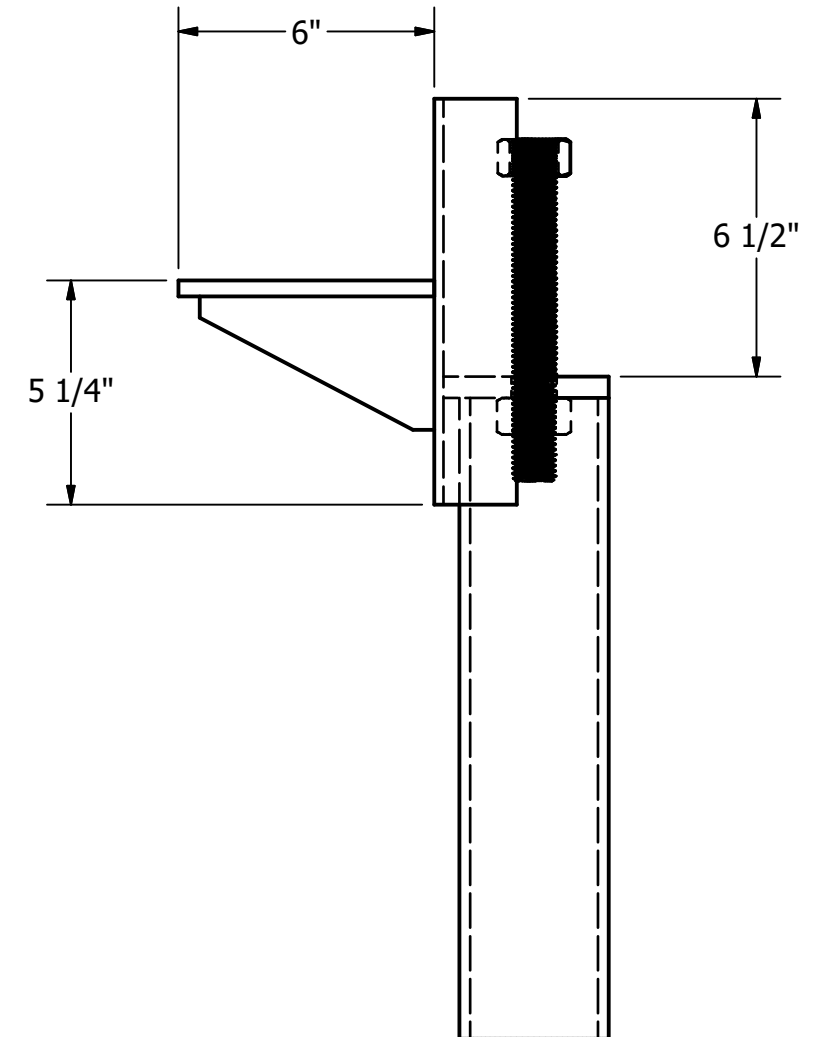
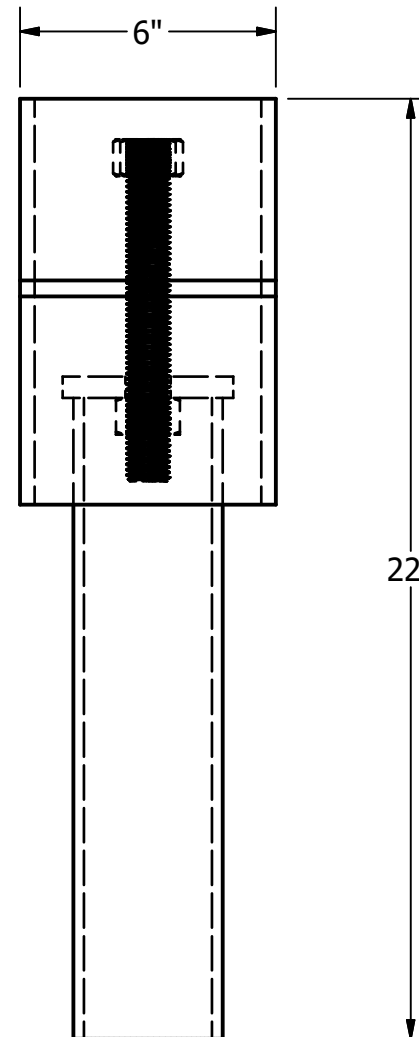
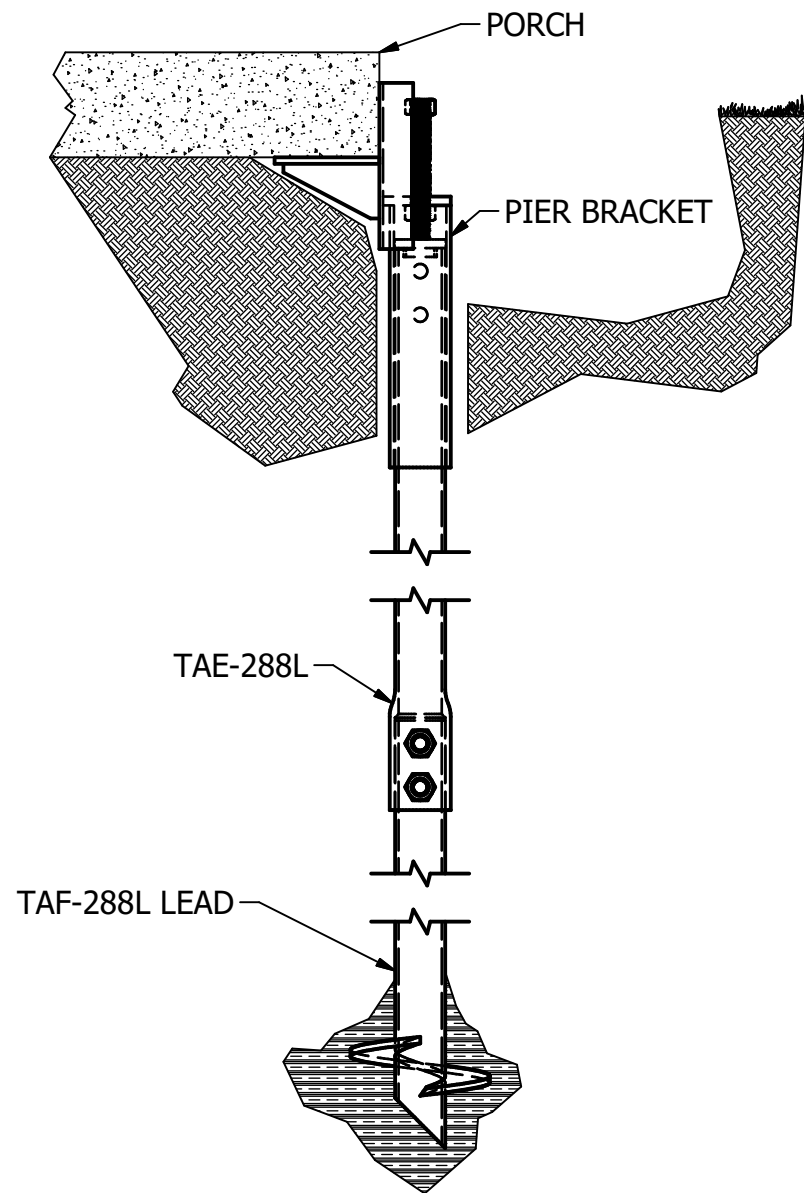


TAB-288-LP - PORCH BRACKET



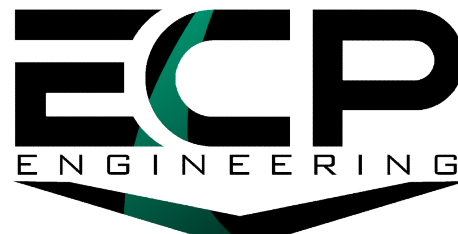
NOTES:

1. PAINT BLACK
2. BRACKET MATERIAL 3/8" THICK HOT ROLLED STEEL PER ASTM A572 MIN. YIELD STRENGTH 50 KSI.
3. ALL WELDING TO BE DONE BY WELDERS CERTIFIED UNDER SECTION 5 OF THE AWS CODE D1.1
4. MANUFACTURER TO HAVE IN EFFECT INDUSTRY RECOGNIZED WRITTEN QUALITY CONTROL FOR ALL MATERIALS AND MANUFACTURING PROCESSES

ITEM	NAME	DESCRIPTION	QTY.
1	3-1/2" OD PIPE	3.5" x 0.25" DOM TUBE 15" LONG	1
2	C-CHANNEL	C6 x 8.5# CHANNEL x 9.5" LONG	1
3	SUPPORT PLATE	0.375" x 3.125" x 5.5" H.R. PLATE	1
4	SYNC PLATE	0.5" x 3.875" x 4" H.R. PLATE	1
5	NUT	1" B-13 COIL NUT	2
6	BOLT	1" B-13 COIL ROD x 8" LONG	1
7	SEAT PLATE	0.375" x 6" x 6" H.R. PLATE	1
8	CAP PLATE	0.5" x 2-15/16" OD H.R. PLATE	1
9	TUBE CAP	1.5" SCH.40 PIPE x 0.5" LONG	1

WORKING LOAD	8,000 LBS.
ULTIMATE LOAD	16,000 LBS.
BEARING AREA	36 SQ. IN
LIFT CAPACITY	4-1/2 IN

DRAWN GDR	DATE 12/10/2024
DWG NO. SD-TAB-288-LP	
DESCRIPTION PORCH BRACKET 2-7/8" TUBE	
NOT TO SCALE ALL UNITS IN INCHES U.N.O.	



ECP
ENGINEERING

SIZE B	15612 S KEELER TERRACE OLATHE, KS 66062 (913) 393-0007 www.GETECP.com	REV 0
-----------	---	----------

CONFIDENTIAL. THIS DRAWING AND ITS CONTENTS ARE CONFIDENTIAL AND THE EXCLUSIVE PROPERTY OF EARTH CONTACT PRODUCTS, LLC. NO PUBLICATION, DISTRIBUTION, OR COPIES MAY BE MADE WITHOUT THE WRITTEN CONSENT OF ECP. ALL RIGHTS RESERVED UNDER COPYRIGHT LAW.

SHEET 1 OF 1