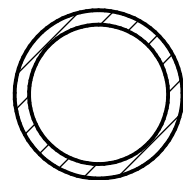
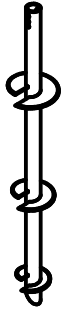


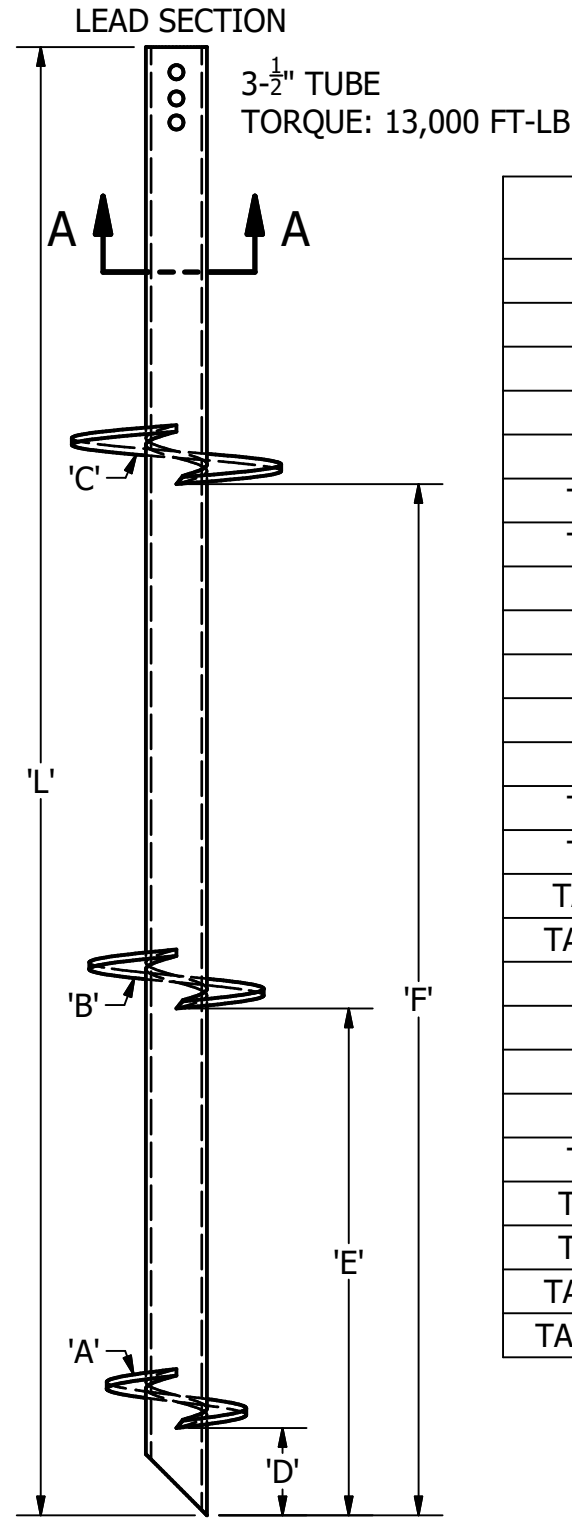
** NOTES **

1. HOT DIP GALVANIZED PER ASTM A123 GRADE 75 (LATEST REV)
2. PIPE SHAFT MATERIAL PER ASTM A500 GRADE B MIN YIELD 50 KSI
3. HELIX SHALL BE MADE OF ASTM A572 GRADE 50 OR 80
4. COUPLING BOLTS: 3/4"Ø X 5-1/2" LONG HEX HEAD PER SAE J429 GRADE 8
5. MANUFACTURER TO HAVE IN EFFECT INDUSTRY RECOGNIZED WRITTEN QUALITY CONTROL FOR ALL MATERIALS AND MANUFACTURING PROCESSES
6. ALL WELDING TO BE DONE BY WELDERS CERTIFIED UNDER SECTION 5 OF THE AWS CODE D1.1
7. ADD 'H' TO FRONT OF CATALOG NUMBER FOR 1/2" THICK HELICES
8. ICC-ESR-3559

HELICAL PILES




SECTION A-A
SCALE 1/4



PART NUMBER	DESCRIPTION	'L'	'A'	'B'	'C'	'D'	'E'	'F'
TAH-350-60-8	60" LEAD W/ 3/8" x 8" HELICAL	60	8			5		
TAH-350-60-10	60" LEAD W/ 3/8" x 10" HELICAL	60	10			5		
TAH-350-60-12	60" LEAD W/ 3/8" x 12" HELICAL	60	12			5		
TAH-350-60-14	60" LEAD W/ 3/8" x 14" HELICAL	60	14			5		
TAF-350-60-8-10	60" LEAD W/ 3/8" x 8" / 10" HELICALS	60	8	10		5	29	
TAF-350-60-10-12	60" LEAD W/ 3/8" x 10" / 12" HELICALS	60	10	12		5	35	
TAF-350-60-12-14	60" LEAD W/ 3/8" x 12" / 14" HELICALS	60	12	14		5	41	
TAH-350-84-8	84" LEAD W/ 3/8" x 8" HELICAL	84	8			5		
TAH-350-84-10	84" LEAD W/ 3/8" x 10" HELICAL	84	10			5		
TAH-350-84-12	84" LEAD W/ 3/8" x 12" HELICAL	84	12			5		
TAH-350-84-14	84" LEAD W/ 3/8" x 14" HELICAL	84	14			5		
TAF-350-84-8-10	84" LEAD W/ 3/8" x 8" / 10" HELICALS	84	8	10		5	29	
TAF-350-84-10-12	84" LEAD W/ 3/8" x 10" / 12" HELICALS	84	10	12		5	35	
TAF-350-84-12-14	84" LEAD W/ 3/8" x 12" / 14" HELICALS	84	12	14		5	41	
TAF-350-84-8-10-12	84" LEAD W/ 3/8" x 8"/10"/12" HELICALS	84	8	10	12	5	29	59
TAF-350-84-10-12-14	84" LEAD W/ 3/8" x 10"/12"/14" HELICALS	84	10	12	14	5	35	71
TAH-350-120-8	120" LEAD W/ 3/8" x 8" HELICAL	120	8			5		
TAH-350-120-10	120" LEAD W/ 3/8" x 10" HELICAL	120	10			5		
TAH-350-120-12	120" LEAD W/ 3/8" x 12" HELICAL	120	12			5		
TAH-350-120-14	120" LEAD W/ 3/8" x 14" HELICAL	120	14			5		
TAF-350-120-8-10	120" LEAD W/ 3/8" x 8" / 10" HELICALS	120	8	10		5	29	
TAF-350-120-10-12	120" LEAD W/ 3/8" x 10" / 12" HELICALS	120	10	12		5	35	
TAF-350-120-12-14	120" LEAD W/ 3/8" x 12" / 14" HELICALS	120	12	14		5	41	
TAF-350-120-8-10-12	120" LEAD W/ 3/8" x 8"/10"/12" HELICALS	120	8	10	12	5	29	59
TAF-350-120-10-12-14	120" LEAD W/ 3/8" x 10"/12"/14" HELICALS	120	10	12	14	5	35	71

DESCRIPTION	IMPERIAL	METRIC
SHAFT SIZE, OD	3.5 IN	88.9 mm
WALL THICKNESS	0.300 IN	7.62 mm
MOMENT OF INERTIA (I)*	3.8943 IN ⁴	1.62x10 ⁶ mm ⁴
SHAFT AREA (A)*	3.0159 IN ²	1945.74 mm ²
SECTION MODULUS (SX-X)*	2.2253 IN ³	36466.63 mm ³
TORQUE	13,000 FT.LBS	17,625.6 Nm
ULTIMATE CAPACITY	104,000 LBS.	47,173.6 kg



CONFIDENTIAL: THIS DRAWING AND ITS CONTENTS ARE CONFIDENTIAL AND THE EXCLUSIVE PROPERTY OF EARTH CONTACT PRODUCTS, LLC. NO PUBLICATION, DISTRIBUTION, OR COPIES MAY BE MADE WITHOUT THE WRITTEN CONSENT OF ECP. ALL RIGHTS RESERVED UNDER THE COPYRIGHT LAWS.

Earth Contact Products

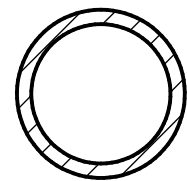
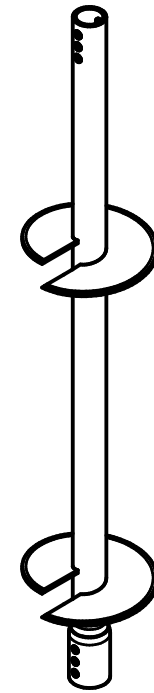
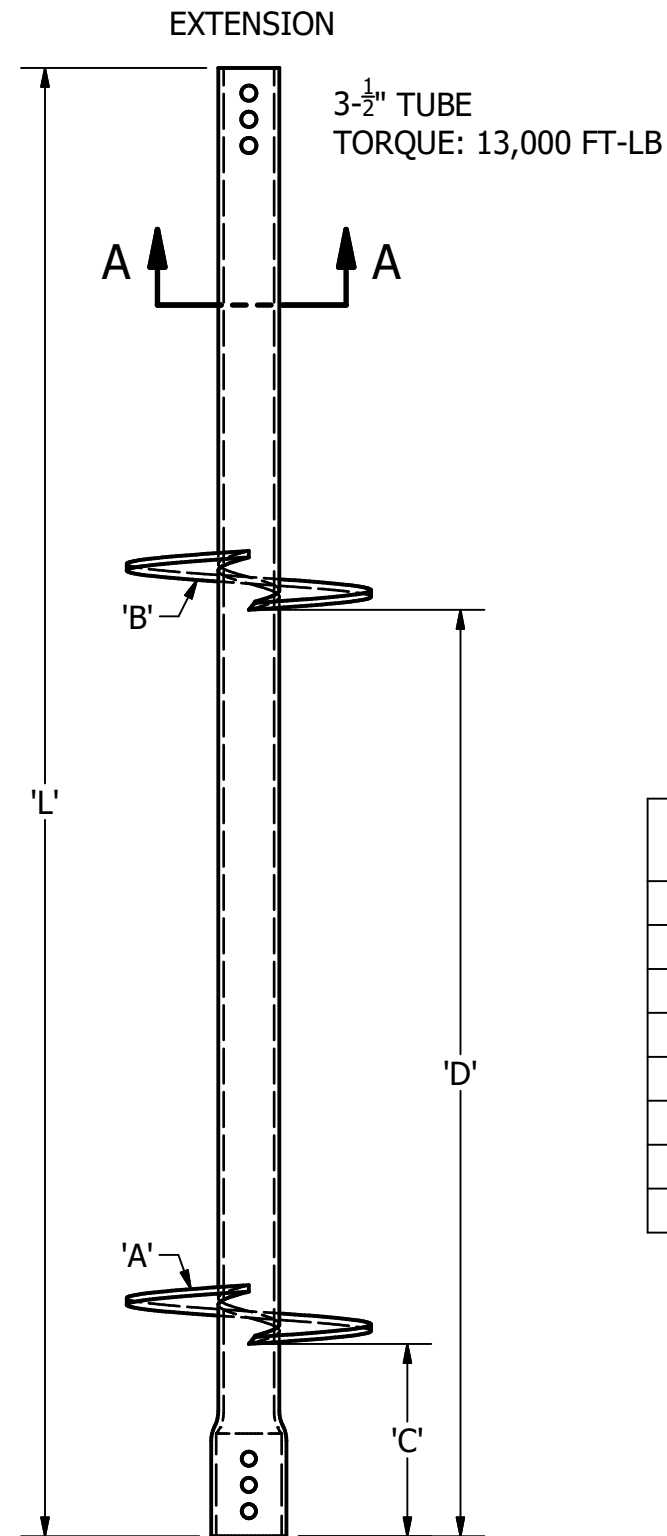
TITLE: HELICAL PILES
TAF-350 / TAH-350

SIZE: A	CAT / PART / ASSY NO.:	DWG NO.:	REV:
SEE CHART		SD-TA-350	C
DO NOT SCALE THIS DRAWING	DRN BY: GDR	DATE: 4/11/23	SHEET 1 OF 1

**** NOTES ****

1. HOT DIP GALVANIZED PER ASTM A123 GRADE 75 (LATEST REV)
2. PIPE SHAFT MATERIAL PER ASTM A500 GRADE B MIN YIELD 50 KSI
3. HELIX SHALL BE MADE OF ASTM A572 GRADE 50 OR 80
4. COUPLING BOLTS: 3/4"Ø X 5-1/2" LONG HEX HEAD PER SAE J429 GRADE 8
5. ADD "NH" TO THE END OF THE CATALOG NUMBER FOR EXTENSIONS WITH NO HARDWARE INCLUDED FOR COUPLING
6. MANUFACTURER TO HAVE IN EFFECT INDUSTRY RECOGNIZED WRITTEN QUALITY CONTROL FOR ALL MATERIALS AND MANUFACTURING PROCESSES
7. ALL WELDING TO BE DONE BY WELDERS CERTIFIED UNDER SECTION 5 OF THE AWS CODE D1.1
8. ADD 'H' TO FRONT OF CATALOG NUMBER FOR 1/2" THICK HELICES
9. ICC-ESR-3559

HELICAL PILES



SECTION A-A
SCALE 1/4

PART NUMBER	DESCRIPTION	'L'	'A'	'B'	'C'	'D'
TAE-350-36	36" EXTENSION	36				
TAE-350-42	42" EXTENSION	42				
TAE-350-42-14	42" EXTENSION W/ 3/8" x 14" HELICAL	42	14		17	
TAE-350-60	60" EXTENSION	60				
TAE-350-84	84" EXTENSION	84				
TAE-350-84-14	84" EXTENSION W/ 3/8" x 14" HELICAL	84	14		17	
TAE-350-84-14-14	84" EXTENSION W/ 3/8" x 14"/14" HELICAL	84	14	14	17	59
TAE-350-120	120" EXTENSION	120				

DESCRIPTION	IMPERIAL	METRIC
SHAFT SIZE, OD	3.5 IN	88.9 mm
WALL THICKNESS	0.300 IN	7.62 mm
MOMENT OF INERTIA (I)*	3.8943 IN ⁴	1.62x10 ⁶ mm ⁴
SHAFT AREA (A)*	3.0159 IN ²	1945.74 mm ²
SECTION MODULUS (SX-X)*	2.2253 IN ³	36466.63 mm ³
TORQUE	13,000 FT.LBS	17,625.6 Nm
ULTIMATE CAPACITY	104,000 LBS.	47,173.6 kg

	Earth Contact Products			
	TITLE HELICAL PILES TAE-350			
<small>CONFIDENTIAL: THIS DRAWING AND ITS CONTENTS ARE CONFIDENTIAL AND THE EXCLUSIVE PROPERTY OF EARTH CONTACT PRODUCTS, LLC. NO PUBLICATION, DISTRIBUTION, OR COPIES MAY BE MADE WITHOUT THE WRITTEN CONSENT OF ECP. ALL RIGHTS RESERVED UNDER THE COPYRIGHT LAWS.</small>	SIZE A	CAT / PART / ASSY NO. SEE CHART	DWG NO. SD-TAE-350	REV C
	DO NOT SCALE THIS DRAWING	DRN BY GDR	DATE 4/11/23	SHEET 1 OF 1