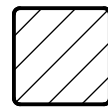
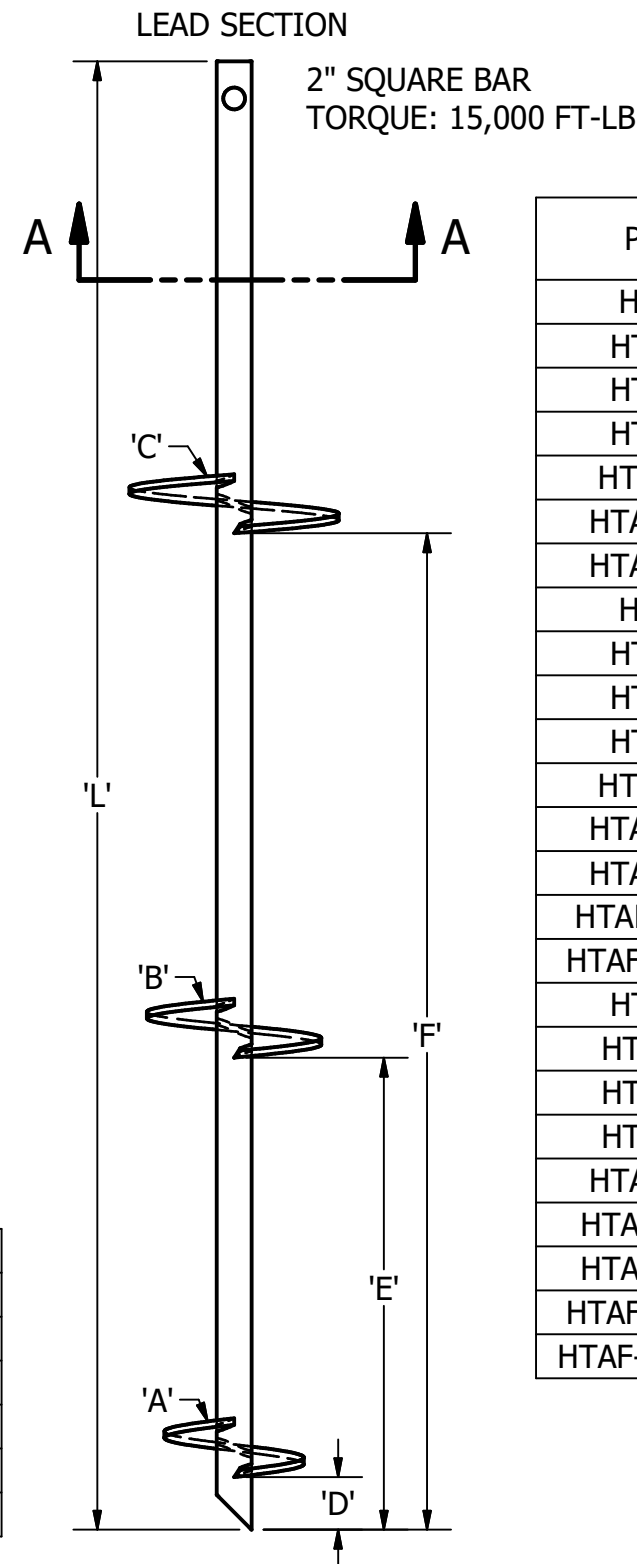
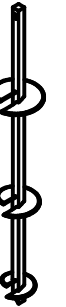


** NOTES **

1. HOT DIP GALVANIZED PER ASTM A123 GRADE 100 (LATEST REV)
2. SHAFT MATERIAL HOT ROLLED ROUND CORNER SQUARE SOLID BARS PER ASTM A29; MIN YIELD = 90 KSI
3. HELIX SHALL BE MADE OF ASTM A572 GRADE 50 OR 80
4. COUPLING BOLTS: 1.0"Ø X 4-1/4" LONG HEX HEAD PER SAE J429 GRADE 8
5. MANUFACTURER TO HAVE IN EFFECT INDUSTRY RECOGNIZED WRITTEN QUALITY CONTROL FOR ALL MATERIALS AND MANUFACTURING PROCESSES
6. ALL WELDING TO BE DONE BY WELDERS CERTIFIED UNDER SECTION 5 OF THE AWS CODE D1.1

HELICAL PILES



SECTION A-A
SCALE 1/4

DESCRIPTION	IMPERIAL	METRIC
SHAFT SIZE	2 IN	38.1 mm
MOMENT OF INERTIA (I)*	1.333 IN	5.55x10 ⁵ mm
SHAFT AREA (A)*	3.95 IN	2548.382 mm
SECTION MODULUS (SX-X)*	1.333 IN	2.185X10 ⁵ mm
TORQUE	15,000 FT.LBS	20337 Nm
ULTIMATE CAPACITY	150,000 LBS	68039 kg

PART NUMBER	DESCRIPTION	'L'	'A'	'B'	'C'	'D'	'E'	'F'
HTAH-200-60-8	60" LEAD W/ 1/2" x 8" HELICAL	60	8			3		
HTAH-200-60-10	60" LEAD W/ 1/2" x 10" HELICAL	60	10			3		
HTAH-200-60-12	60" LEAD W/ 1/2" x 12" HELICAL	60	12			3		
HTAH-200-60-14	60" LEAD W/ 1/2" x 14" HELICAL	60	14			3		
HTAF-200-60-8-10	60" LEAD W/ 1/2" x 8" / 10" HELICALS	60	8	10		3	27	
HTAF-200-60-10-12	60" LEAD W/ 1/2" x 10" / 12" HELICALS	60	10	12		3	33	
HTAF-200-60-12-14	60" LEAD W/ 1/2" x 12" / 14" HELICALS	60	12	14		3	39	
HTAH-200-84-8	84" LEAD W/ 1/2" x 8" HELICAL	84	8			3		
HTAH-200-84-10	84" LEAD W/ 1/2" x 10" HELICAL	84	10			3		
HTAH-200-84-12	84" LEAD W/ 1/2" x 12" HELICAL	84	12			3		
HTAH-200-84-14	84" LEAD W/ 1/2" x 14" HELICAL	84	14			3		
HTAF-200-84-8-10	84" LEAD W/ 1/2" x 8" / 10" HELICALS	84	8	10		3	27	
HTAF-200-84-10-12	84" LEAD W/ 1/2" x 10" / 12" HELICALS	84	10	12		3	33	
HTAF-200-84-12-14	84" LEAD W/ 1/2" x 12" / 14" HELICALS	84	12	14		3	39	
HTAF-200-84-8-10-12	84" LEAD W/ 1/2" x 8"/10"/12" HELICALS	84	8	10	12	3	27	57
HTAF-200-84-10-12-14	84" LEAD W/ 1/2" x 10"/12"/14" HELICALS	84	10	12	14	3	33	69
HTAH-200-120-8	120" LEAD W/ 1/2" x 8" HELICAL	120	8			3		
HTAH-200-120-10	120" LEAD W/ 1/2" x 10" HELICAL	120	10			3		
HTAH-200-120-12	120" LEAD W/ 1/2" x 12" HELICAL	120	12			3		
HTAH-200-120-14	120" LEAD W/ 1/2" x 14" HELICAL	120	14			3		
HTAF-200-120-8-10	120" LEAD W/ 1/2" x 8" / 10" HELICALS	120	8	10		3	27	
HTAF-200-120-10-12	120" LEAD W/ 1/2" x 10" / 12" HELICALS	120	10	12		3	33	
HTAF-200-120-12-14	120" LEAD W/ 1/2" x 12" / 14" HELICALS	120	12	14		3	39	
HTAF-200-120-8-10-12	120" LEAD W/ 1/2" x 8"/10"/12" HELICALS	120	8	10	12	3	27	57
HTAF-200-120-10-12-14	120" LEAD W/ 1/2" x 10"/12"/14" HELICALS	120	10	12	14	3	33	69



CONFIDENTIAL: THIS DRAWING AND ITS CONTENTS ARE CONFIDENTIAL AND THE EXCLUSIVE PROPERTY OF EARTH CONTACT PRODUCTS, LLC. NO PUBLICATION, DISTRIBUTION, OR COPIES MAY BE MADE WITHOUT THE WRITTEN CONSENT OF ECP. ALL RIGHTS RESERVED UNDER THE COPYRIGHT LAWS.

Earth Contact Products

TITLE HELICAL PILES HTAH-200 / HTAF-200			
SIZE A	CAT / PART / ASSY NO. SEE CHART	DWG NO. SD-TA-200	REV C
<small>DO NOT SCALE THIS DRAWING</small>	<small>DRN BY</small> GDR	<small>DATE</small> 4/11/23	<small>SHEET</small> 1 OF 1