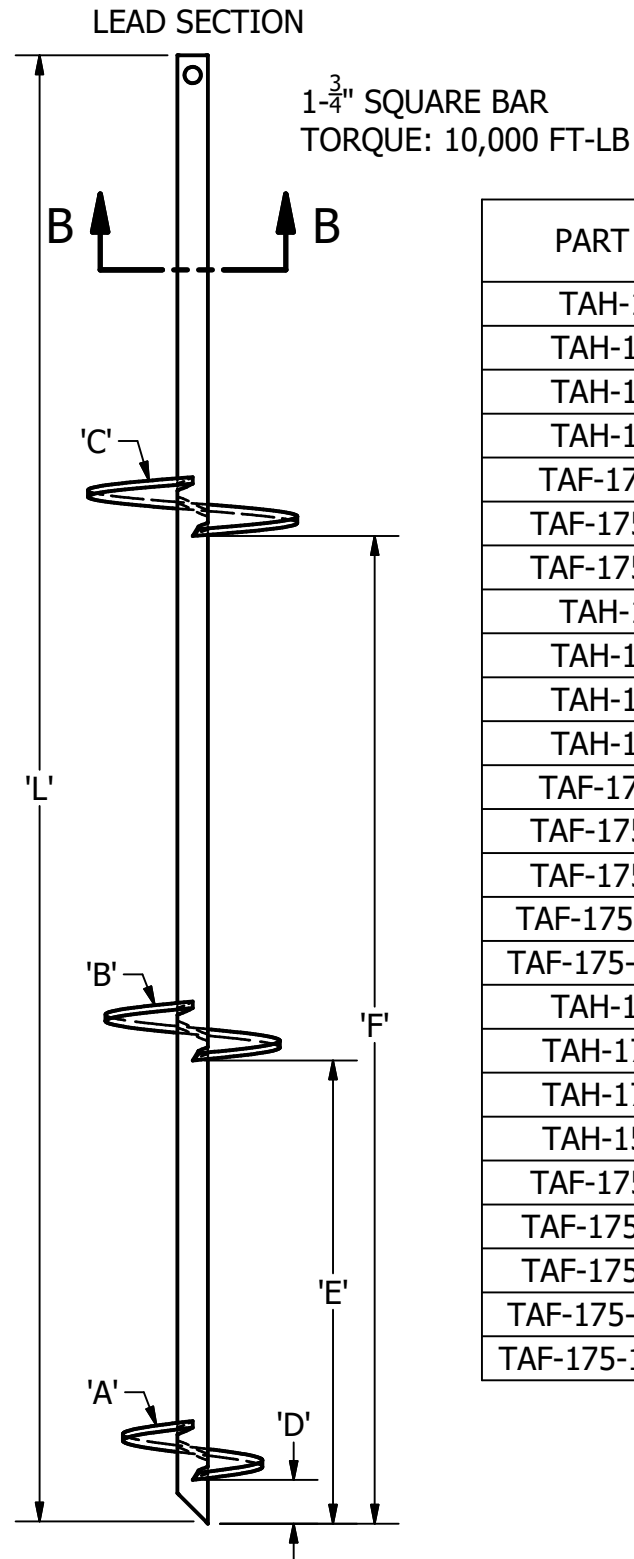


\*\* NOTES \*\*

1. HOT DIP GALVANIZED PER ASTM A123 GRADE 100 (LATEST REV)
2. SHAFT MATERIAL HOT ROLLED ROUND CORNER SQUARE SOLID BARS PER ASTM A29; MIN YIELD = 90 KSI
3. HELIX SHALL BE MADE OF ASTM A572 GRADE 50 OR 80
4. COUPLING BOLTS: 7/8"Ø X 3-3/4" LONG HEX HEAD PER SAE J429 GR 8.
5. MANUFACTURER TO HAVE IN EFFECT INDUSTRY RECOGNIZED WRITTEN QUALITY CONTROL FOR ALL MATERIALS AND MANUFACTURING PROCESSES
6. ALL WELDING TO BE DONE BY WELDERS CERTIFIED UNDER SECTION 5 OF THE AWS CODE D1.1
7. ADD 'H' TO FRONT OF CATALOG NUMBER FOR 1/2" THICK HELICES
8. ICC-ESR-3559

# HELICAL PILES



**SECTION B-B  
SCALE 1/4**

DESCRIPTION	IMPERIAL	METRIC
SHAFT SIZE	1.75 IN	44.45 mm
MOMENT OF INERTIA (I)*	0.7816 IN	3.253x10 <sup>5</sup> mm
SHAFT AREA (A)*	3.0125 IN	1943.5445 mm
SECTION MODULUS (SX-X)*	0.89323 IN	14637.4172 mm
TORQUE	10,000 FT.LBS	13,558 Nm
ULTIMATE CAPACITY	100,000 LBS	45,360 kg

PART NUMBER	DESCRIPTION	'L'	'A'	'B'	'C'	'D'	'E'	'F'
TAH-175-60-8	60" LEAD W/ 3/8" x 8" HELICAL	60	8			2.5		
TAH-175-60-10	60" LEAD W/ 3/8" x 10" HELICAL	60	10			2.5		
TAH-175-60-12	60" LEAD W/ 3/8" x 12" HELICAL	60	12			2.5		
TAH-175-60-14	60" LEAD W/ 3/8" x 14" HELICAL	60	14			2.5		
TAF-175-60-8-10	60" LEAD W/ 3/8" x 8" / 10" HELICALS	60	8	10		2.5	26.8	
TAF-175-60-10-12	60" LEAD W/ 3/8" x 10" / 12" HELICALS	60	10	12		2.5	32.5	
TAF-175-60-12-14	60" LEAD W/ 3/8" x 12" / 14" HELICALS	60	12	14		2.5	38.5	
TAH-175-84-8	84" LEAD W/ 3/8" x 8" HELICAL	84	8			2.5		
TAH-175-84-10	84" LEAD W/ 3/8" x 10" HELICAL	84	10			2.5		
TAH-175-84-12	84" LEAD W/ 3/8" x 12" HELICAL	84	12			2.5		
TAH-175-84-14	84" LEAD W/ 3/8" x 14" HELICAL	84	14			2.5		
TAF-175-84-8-10	84" LEAD W/ 3/8" x 8" / 10" HELICALS	84	8	10		2.5	26.5	
TAF-175-84-10-12	84" LEAD W/ 3/8" x 10" / 12" HELICALS	84	10	12		2.5	32.5	
TAF-175-84-12-14	84" LEAD W/ 3/8" x 12" / 14" HELICALS	84	12	14		2.5	38.5	
TAF-175-84-8-10-12	84" LEAD W/ 3/8" x 8"/10"/12" HELICALS	84	8	10	12	2.5	26.5	56.5
TAF-175-84-10-12-14	84" LEAD W/ 3/8" x 10"/12"/14" HELICALS	84	10	12	14	2.5	32.5	68.5
TAH-175-120-8	120" LEAD W/ 3/8" x 8" HELICAL	120	8			2.5		
TAH-175-120-10	120" LEAD W/ 3/8" x 10" HELICAL	120	10			2.5		
TAH-175-120-12	120" LEAD W/ 3/8" x 12" HELICAL	120	12			2.5		
TAH-150-120-14	120" LEAD W/ 3/8" x 14" HELICAL	120	14			2.5		
TAF-175-120-8-10	120" LEAD W/ 3/8" x 8" / 10" HELICALS	120	8	10		2.5	26.5	
TAF-175-120-10-12	120" LEAD W/ 3/8" x 10" / 12" HELICALS	120	10	12		2.5	32.5	
TAF-175-120-12-14	120" LEAD W/ 3/8" x 12" / 14" HELICALS	120	12	14		2.5	38.5	
TAF-175-120-8-10-12	120" LEAD W/ 3/8" x 8"/10"/12" HELICALS	120	8	10	12	2.5	26.5	56.5
TAF-175-120-10-12-14	120" LEAD W/ 3/8" x 10"/12"/14" HELICALS	120	10	12	14	2.5	32.5	68.5

**ECP**  
CONFIDENTIAL: THIS DRAWING AND ITS CONTENTS ARE CONFIDENTIAL AND THE EXCLUSIVE PROPERTY OF EARTH CONTACT PRODUCTS, LLC. NO PUBLICATION, DISTRIBUTION, OR COPIES MAY BE MADE WITHOUT THE WRITTEN CONSENT OF ECP. ALL RIGHTS RESERVED UNDER THE COPYRIGHT LAWS.

**Earth Contact Products**

TITLE: HELICAL PILES  
TAH-175 / TAF-175

SIZE: <b>A</b>	CAT / PART / ASSY NO.: SEE CHART	DWG NO.: SD-TA-175	REV: <b>C</b>
DO NOT SCALE THIS DRAWING	DRN BY: GDR	DATE: 4/11/23	SHEET 1 OF 1