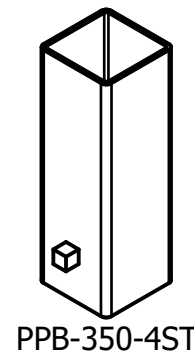
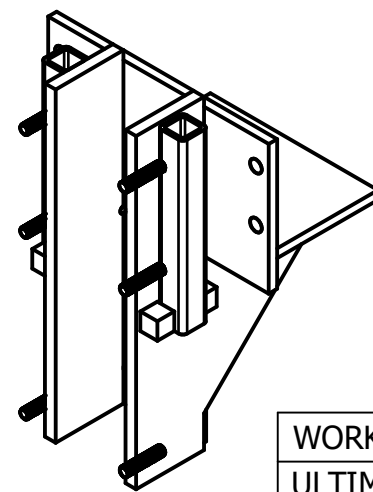
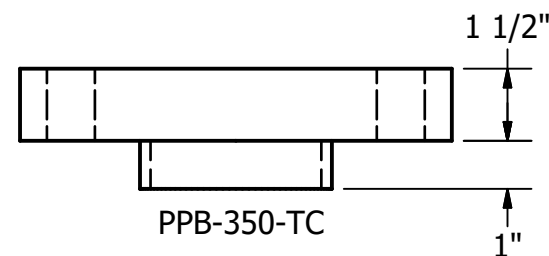
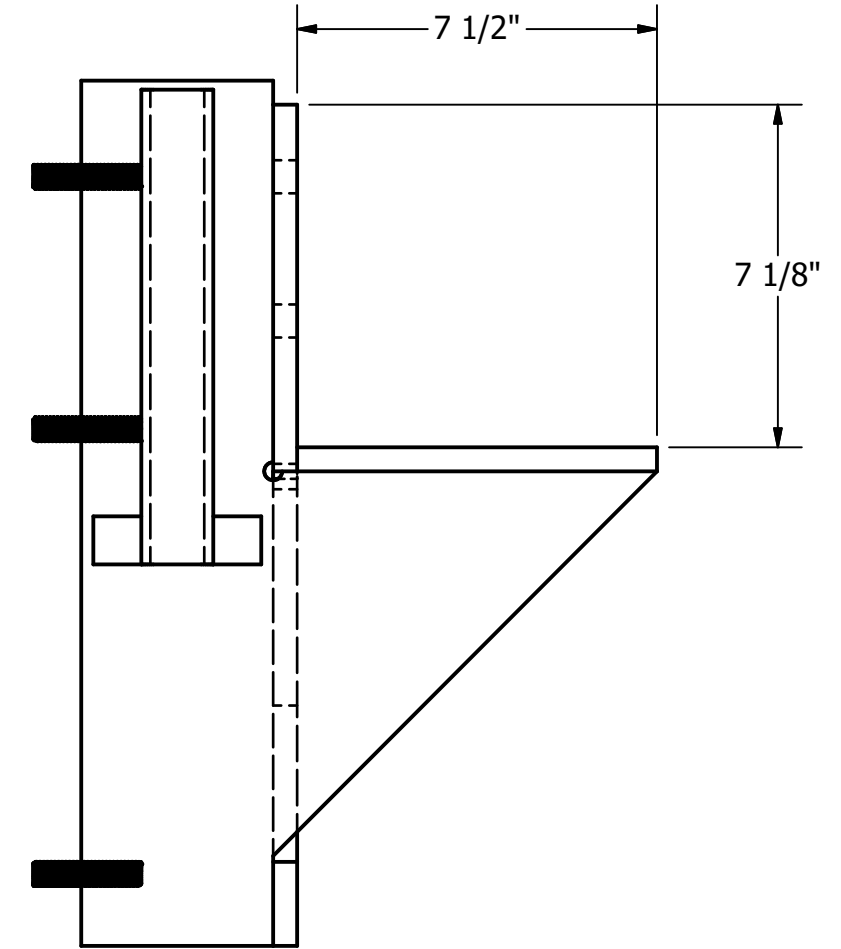
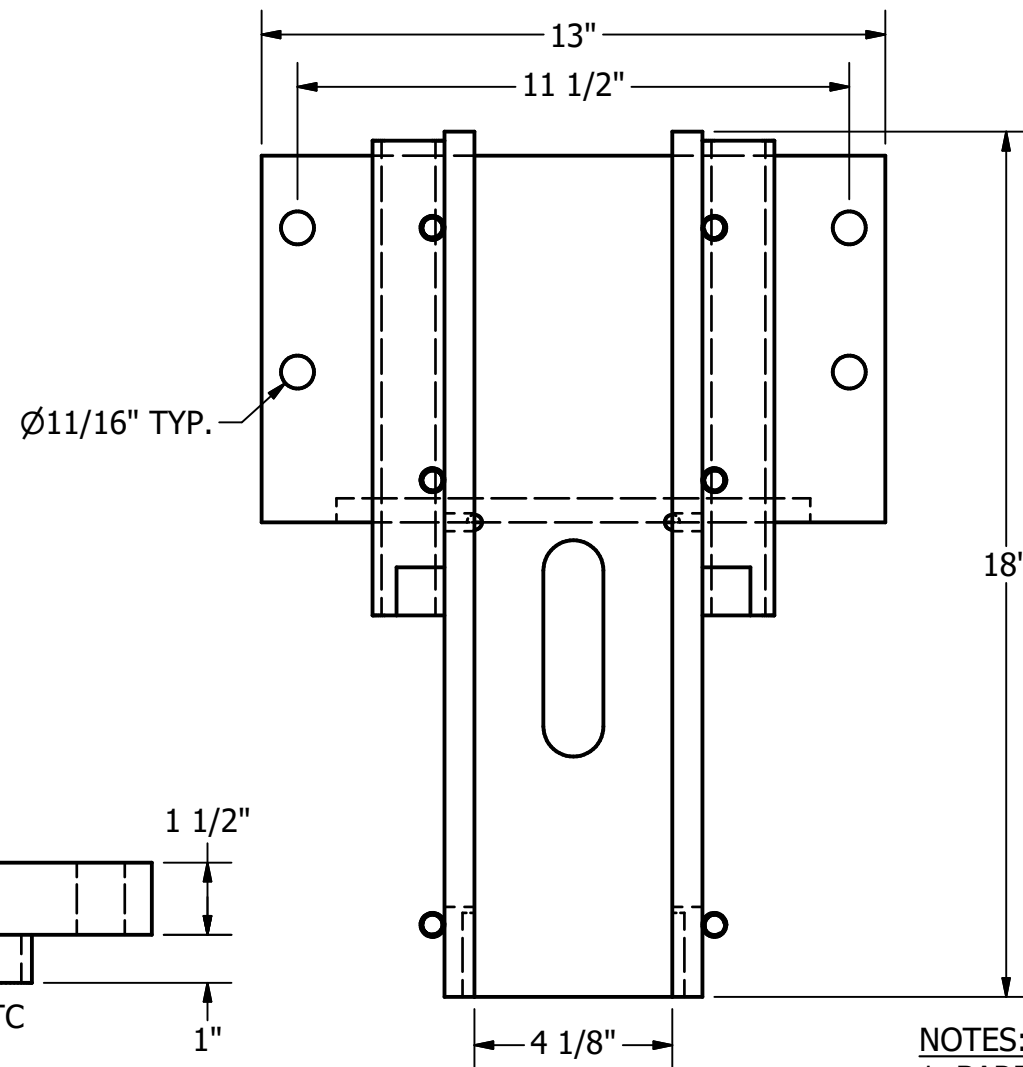
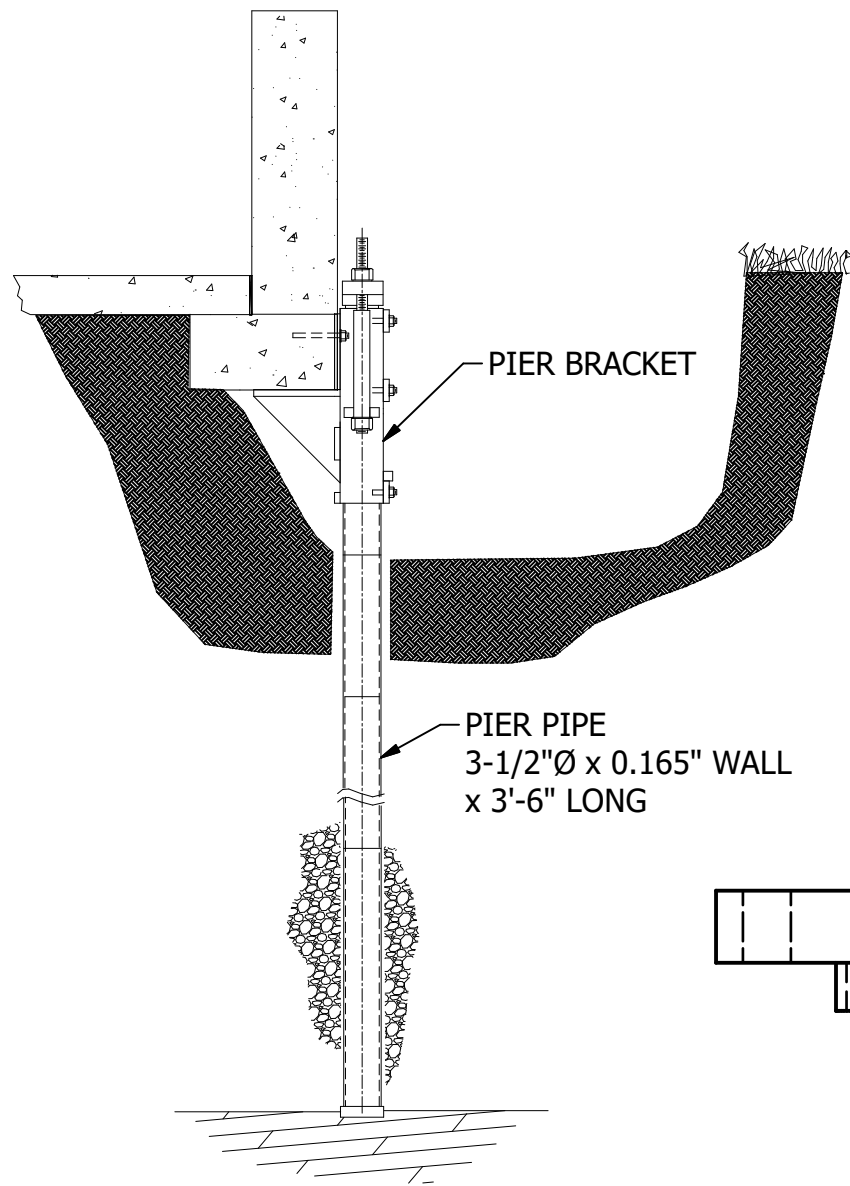


PPB-350 - ECCENTRIC UNDERPINNING BRACKET



NOTES:

1. BARE STEEL, OPTIONAL HOT DIP GALVANIZE PER ASTM A123 (LATEST REV.)
2. BRACKET MATERIAL 3/8" THICK HOT ROLLED STEEL PER ASTM A572 MIN. YIELD STRENGTH 50 KSI.
3. ALL WELDING TO BE DONE BY WELDERS CERTIFIED UNDER SECTION 5 OF THE AWS CODE D1.1
4. MANUFACTURER TO HAVE IN EFFECT INDUSTRY RECOGNIZED WRITTEN QUALITY CONTROL FOR ALL MATERIALS AND MANUFACTURING PROCESSES
5. COMPATIBLE WITH 3-1/2" GALVANIZED PUSH PIER PIPE
6. ICC ESR-4471

ITEM	PART NUMBER	DESCRIPTION	QTY
1	PPB-350-1	SIDE PLATE	2
2	PPB-350-2	SEAT PLATE	1
3	PPB-350-4	BACK PLATE	1
4	PPB-350-SB19	1x1x1 STEEL BLOCK	4
5	HB5-050-225-B	1/2-13 x 2 1/4" STUD	6
6	HAT7-088-018-CNZ	18" THREADED ROD W/ NUTS	2
7	PPB-350-1ST	ALIGNMENT SLEEVE	2
8	PPB-350-4ST	ALIGNMENT TUBE	1
9	PPB-350-FP	FACE PLATE	3
10	PPB-350-TC	TOP CAP	1

WORKING LOAD	43,000 LBS.
ULTIMATE LOAD	86,000 LBS.
BEARING AREA	74 SQ. IN
LIFT CAPACITY	4 IN

DRAWN	DATE
GDR	1/8/2025
DWG NO.	
SD-PPB-350	
DESCRIPTION	
ECCENTRIC UNDERPINNING BRACKET	
NOT TO SCALE	
ALL UNITS IN INCHES U.N.O.	



ECP
ENGINEERING

SIZE	15612 S KEELER TERRACE	REV
B	OLATHE, KS 66062	0
	(913) 393-0007 www.GETECP.com	

CONFIDENTIAL. THIS DRAWING AND ITS CONTENTS ARE CONFIDENTIAL AND THE EXCLUSIVE PROPERTY OF EARTH CONTACT PRODUCTS, LLC. NO PUBLICATION, DISTRIBUTION, OR COPIES MAY BE MADE WITHOUT THE WRITTEN CONSENT OF ECP. ALL RIGHTS RESERVED UNDER COPYRIGHT LAW.

SHEET 1 OF 1