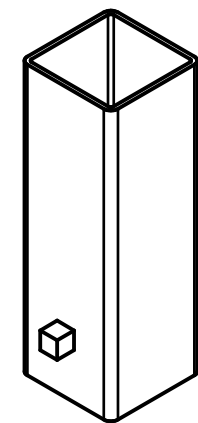
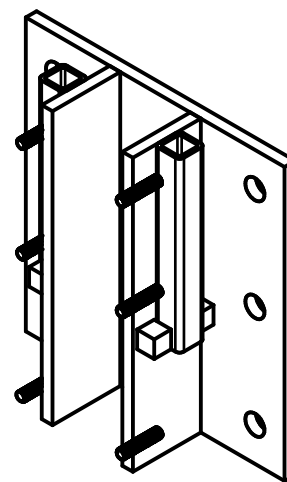
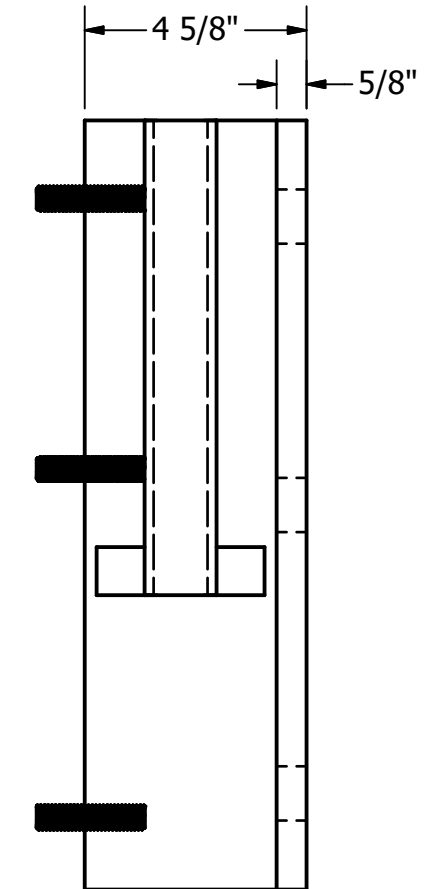
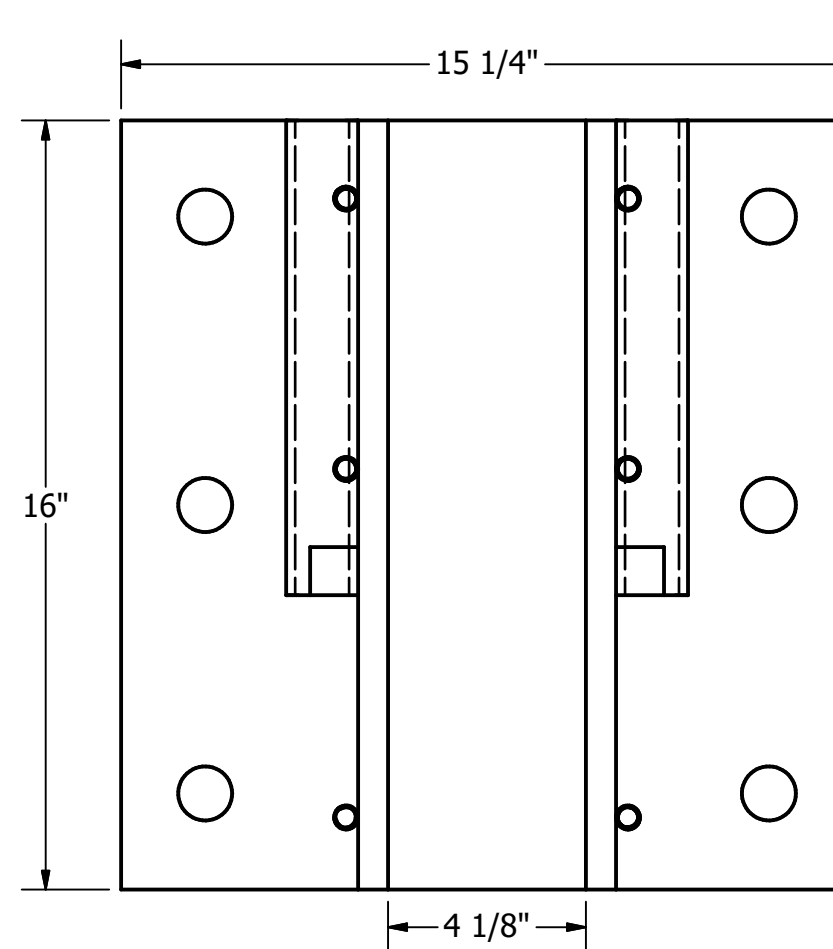
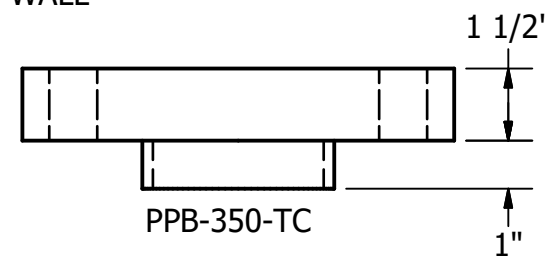
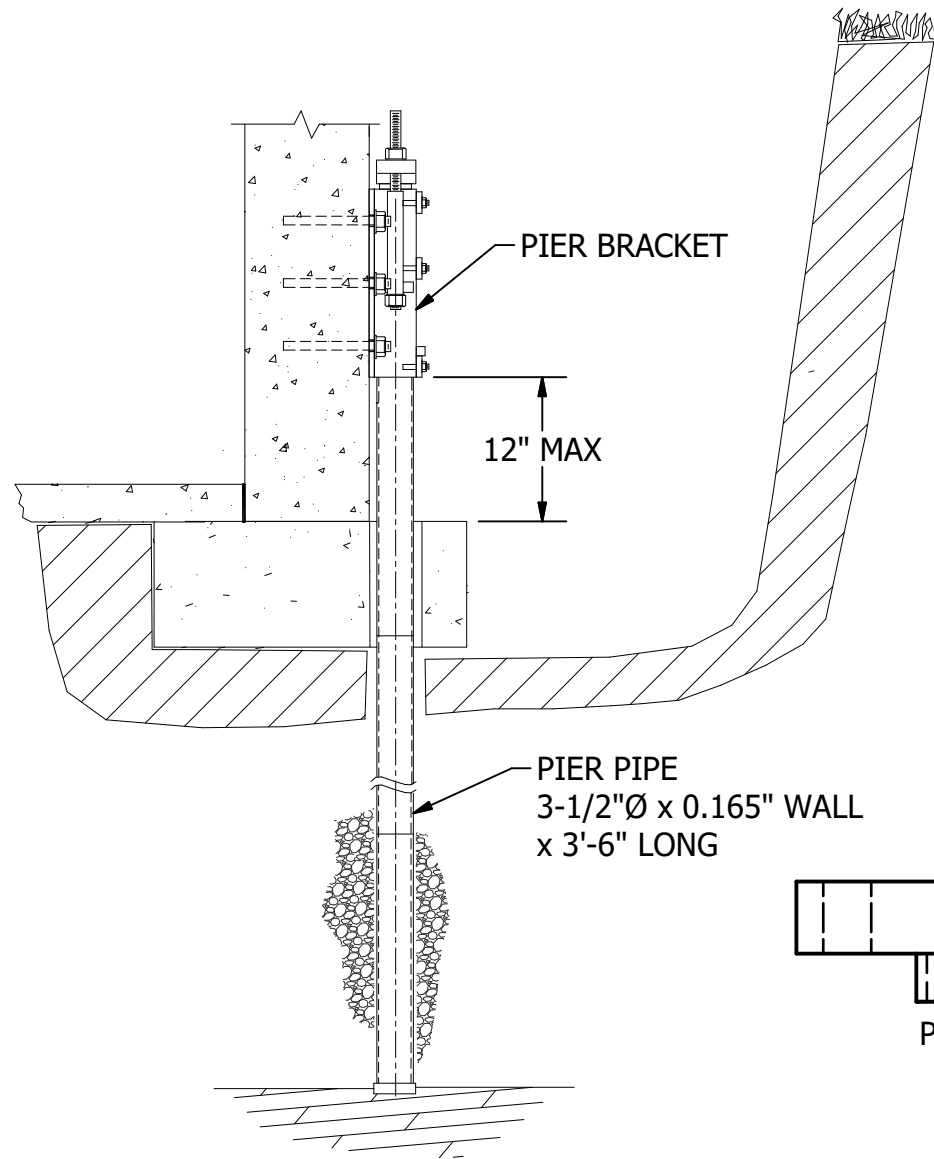


# PPB-350 - WALL MOUNT BRACKET



PPB-350-4ST

**NOTES:**

1. BARE STEEL, OPTIONAL HOT DIP GALVANIZE PER ASTM A123 (LATEST REV.)
2. BRACKET MATERIAL 5/8" THICK HOT ROLLED STEEL PER ASTM A572 MIN. YIELD STRENGTH 50 KSI.
3. ALL WELDING TO BE DONE BY WELDERS CERTIFIED UNDER SECTION 5 OF THE AWS CODE D1.1
4. MANUFACTURER TO HAVE IN EFFECT INDUSTRY RECOGNIZED WRITTEN QUALITY CONTROL FOR ALL MATERIALS AND MANUFACTURING PROCESSES
5. COMPATIBLE WITH 3-1/2" GALVANIZED PUSH PIER PIPE

ITEM	PART NUMBER	DESCRIPTION	QTY
1	PPB-350-WM1	SIDE GUSSET	2
2	PPB-350-WM2	BACK PLATE	1
3	PPB-350-1ST	ALIGNMENT SLEEVE	1
4	PPB-350-SB19	1x1x1 STEEL BLOCK	4
5	HB5-005-225-B	1/2-13 x 2 1/4" STUD	6
6	HAT7-088-018-CNZ	18" THREADED ROD W/ NUTS	2
7	PPB-350-4ST	ALIGNMENT TUBE	1
8	PPB-350-FP	FACE PLATE	3
9	PPB-350-C9B	TOP CAP	1
10	HN5-050-HZ	HEX NUT	6

WORKING LOAD	43,000 LBS.
ULTIMATE LOAD	86,000 LBS.
MOUNTING AREA	244 SQ. IN
LIFT CAPACITY	4 IN

DRAWN	DATE
GDR	1/8/2025
DWG NO.	SD-PPB-350-WM
DESCRIPTION	WALL MOUNT BRACKET
NOT TO SCALE ALL UNITS IN INCHES U.N.O.	

15612 S KEELER TERRACE  
OLATHE, KS 66062  
(913) 393-0007 | www.GETECP.com

CONFIDENTIAL. THIS DRAWING AND ITS CONTENTS ARE CONFIDENTIAL AND THE EXCLUSIVE PROPERTY OF EARTH CONTACT PRODUCTS, LLC. NO PUBLICATION, DISTRIBUTION, OR COPIES MAY BE MADE WITHOUT THE WRITTEN CONSENT OF ECP. ALL RIGHTS RESERVED UNDER COPYRIGHT LAW.

REV 0

SHEET 1 OF 1