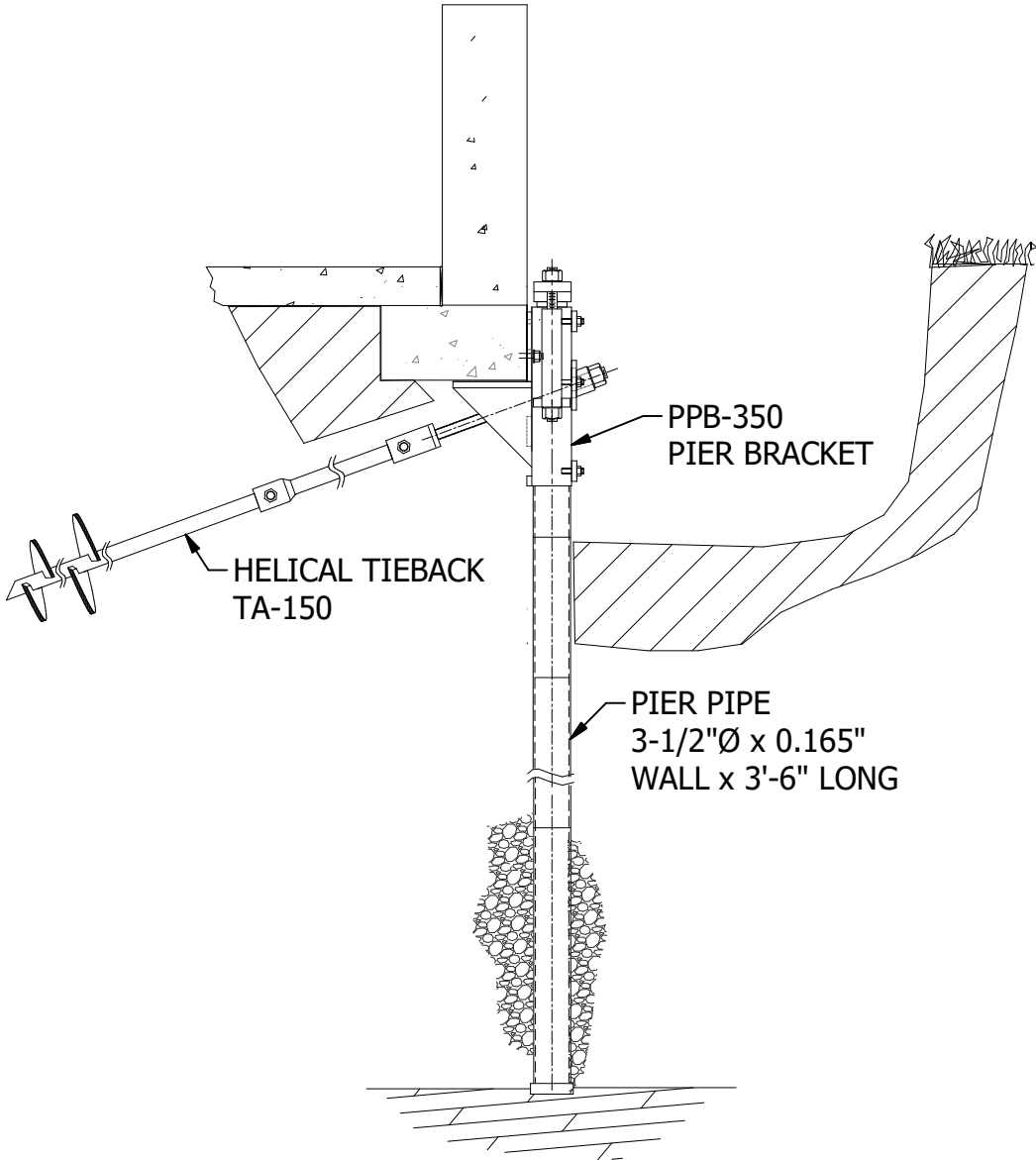
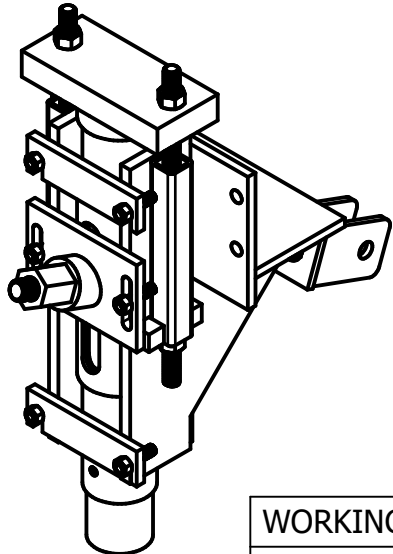
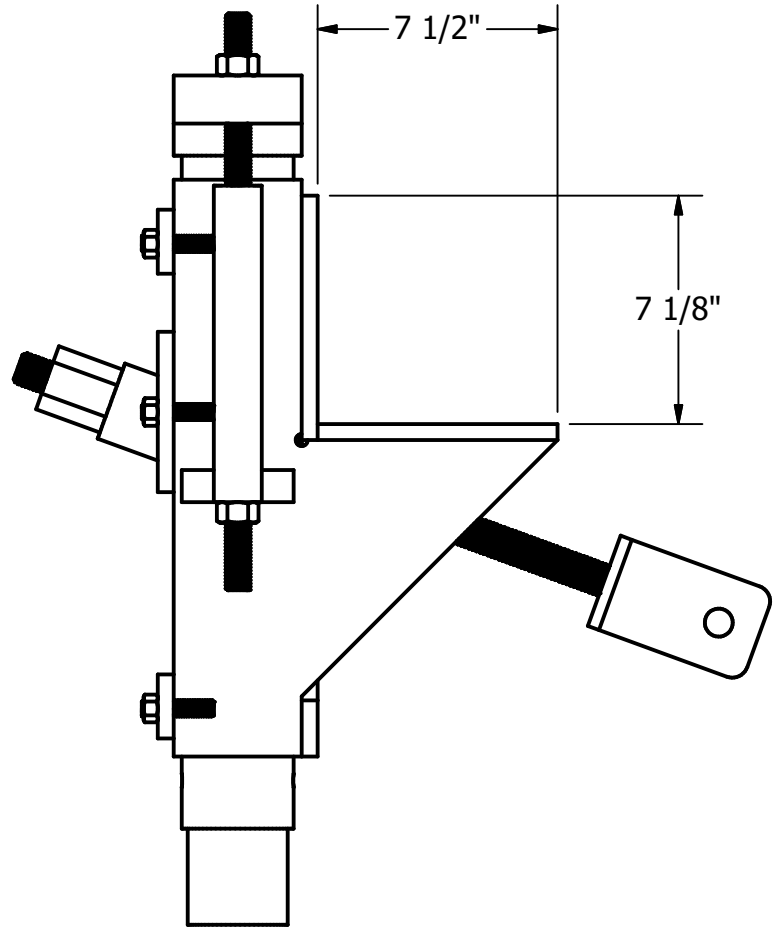
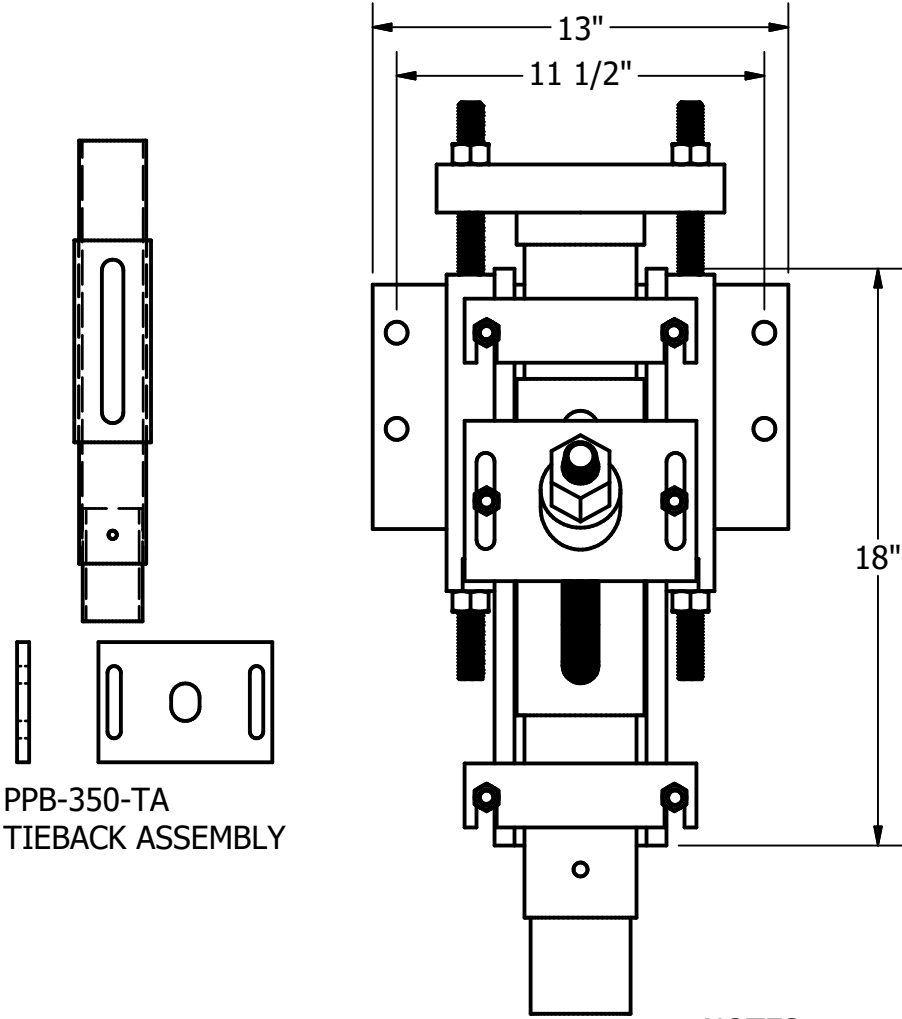


PPB-350-TTA - RESISTANCE TIEBACK PIER BRACKET



TAT-150 TRANSITION ASSEMBLY



- NOTES:**
1. BARE STEEL, OPTIONAL HOT DIP GALVANIZE PER ASTM A123 (LATEST REV.)
 2. BRACKET MATERIAL 3/8" THICK HOT ROLLED STEEL PER ASTM A572 MIN. YIELD STRENGTH 50 KSI.
 3. ALL WELDING TO BE DONE BY WELDERS CERTIFIED UNDER SECTION 5 OF THE AWS CODE D1.1
 4. MANUFACTURER TO HAVE IN EFFECT INDUSTRY RECOGNIZED WRITTEN QUALITY CONTROL FOR ALL MATERIALS AND MANUFACTURING PROCESSES
 5. COMPATIBLE WITH 1-1/2" RCS BAR HELICAL TIEBACKS & 3-1/2" GALVANIZED PUSH PIER PIPE
 6. ICC ESR-4471

ITEM	PART NUMBER	DESCRIPTION	QTY
1	PPB-350	ECCENTRIC UNDERPINNING BRACKET	1
2	PPB-350-TA	TIEBACK ASSEMBLY FOR 350-TA BRACKET	1
3	TAT-150	TRANSITION ASSEMBLY	1

WORKING LOAD	43,000 LBS.
ULTIMATE LOAD	86,000 LBS.
BEARING AREA	74 SQ. IN
LIFT CAPACITY	4 IN

DRAWN	DATE
GDR	2/11/2025
DWG NO. SD-PPB-350-TTA	
DESCRIPTION RESISTANCE PIER TIEBACK	
NOT TO SCALE ALL UNITS IN INCHES U.N.O.	

ECP
ENGINEERING

SIZE B	15612 S KEELER TERRACE OLATHE, KS 66062 (913) 393-0007 www.GETECP.com	REV 0
------------------	---	-----------------

CONFIDENTIAL. THIS DRAWING AND ITS CONTENTS ARE CONFIDENTIAL AND THE EXCLUSIVE PROPERTY OF EARTH CONTACT PRODUCTS, LLC. NO PUBLICATION, DISTRIBUTION, OR COPIES MAY BE MADE WITHOUT THE WRITTEN CONSENT OF ECP. ALL RIGHTS RESERVED UNDER COPYRIGHT LAW.