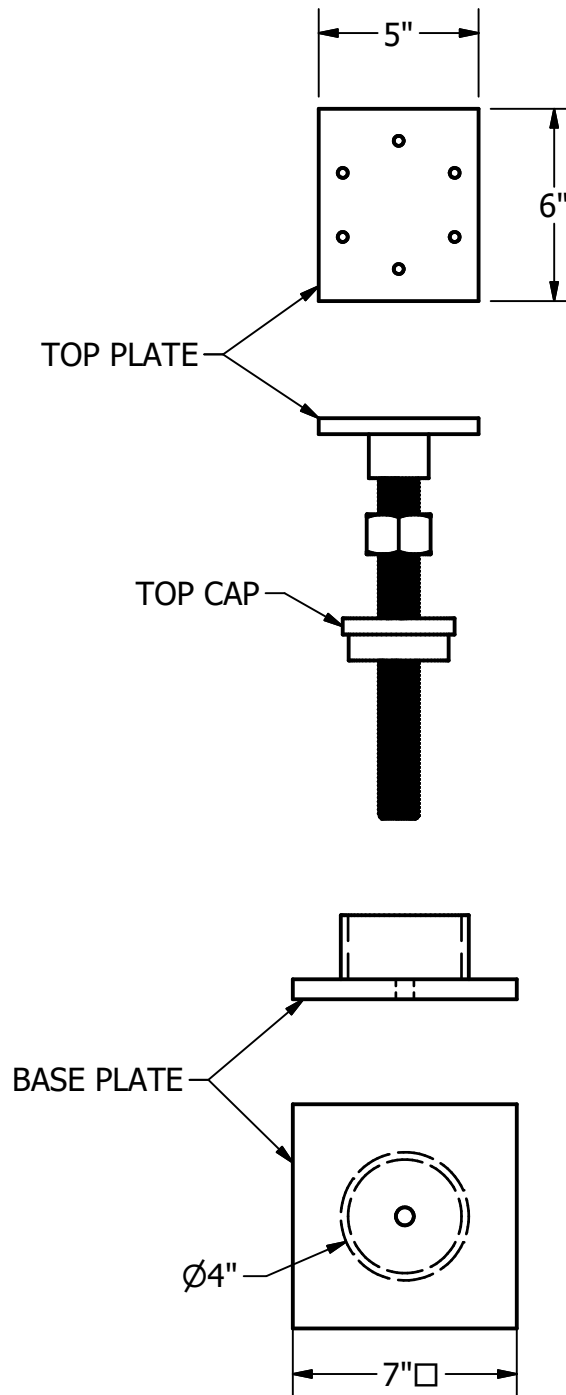
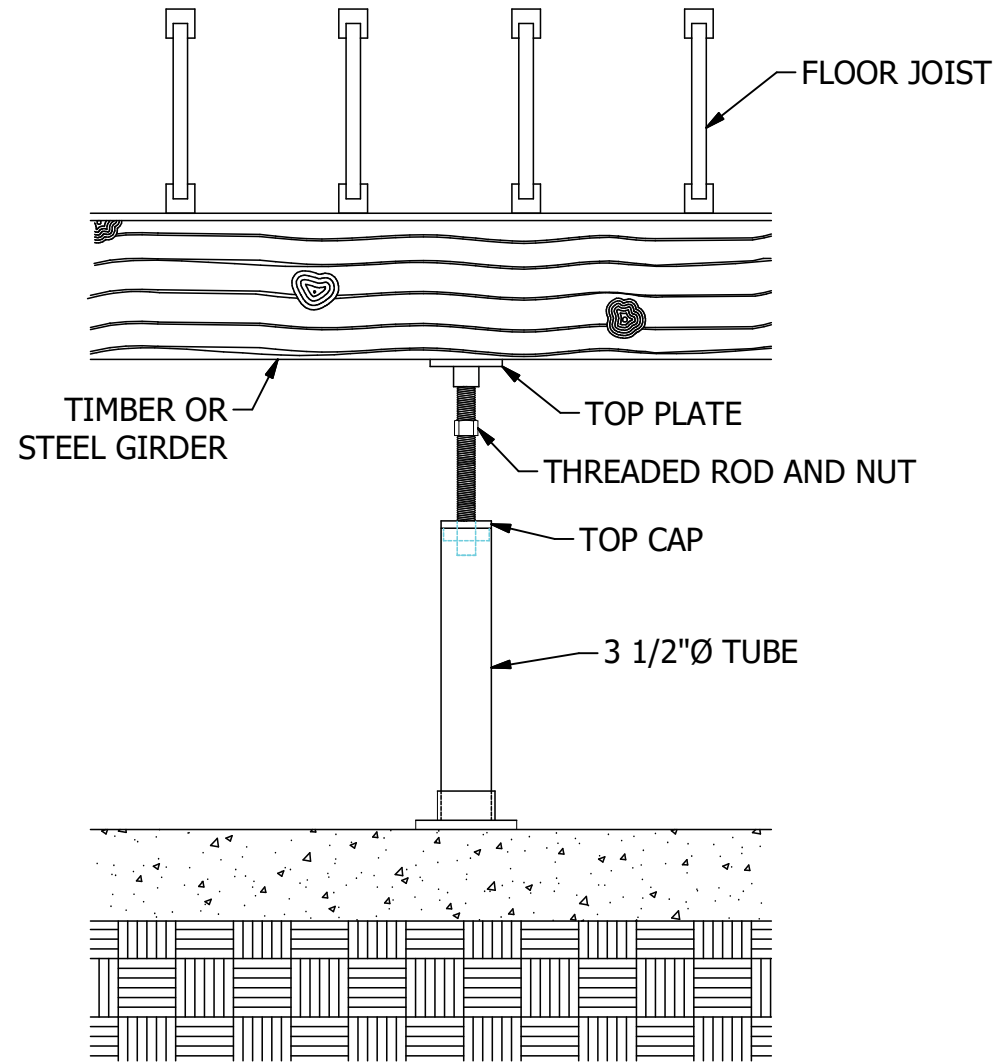
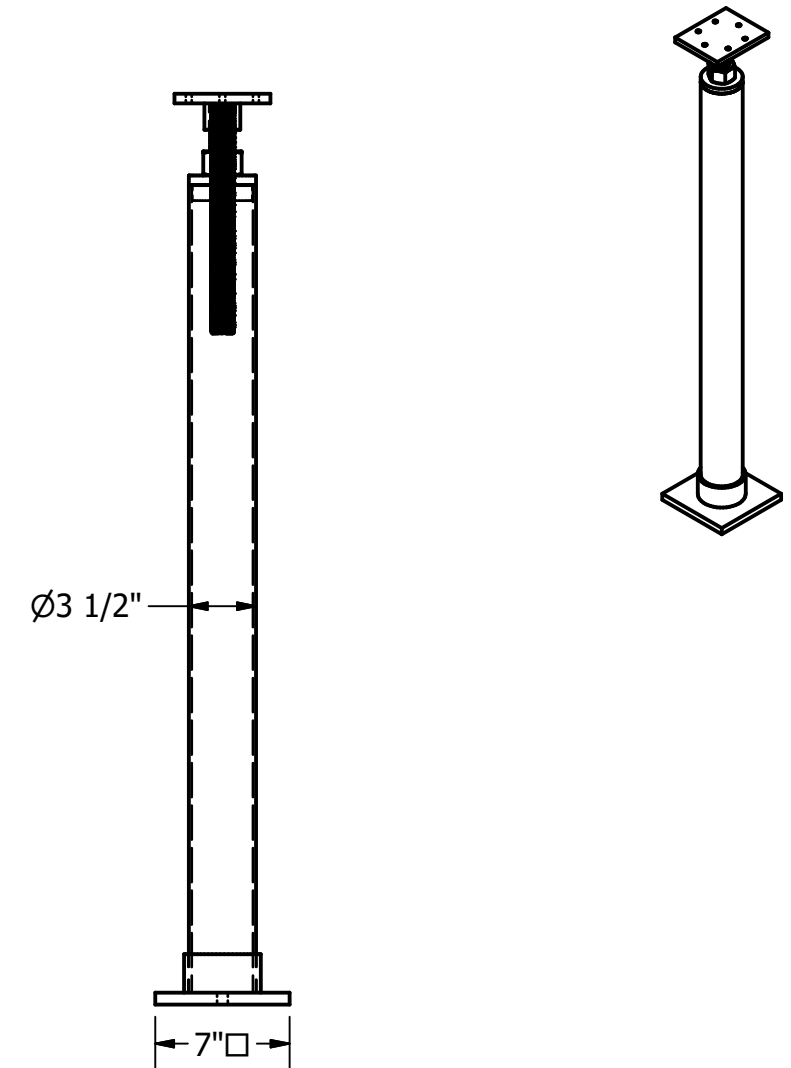


PPB-107 - ADJUSTABLE CRAWL SPACE JACK



WORKING LOAD	30,000 LBS.
ULTIMATE LOAD	60,000 LBS.
BEARING AREA	30 SQ. IN



NOTES:

1. PARTS PAINTED BLACK EXCEPT FOR BARE STEEL ALL THREAD, ZINC PLATING OPTIONAL
2. BRACKET MATERIAL 1/2" THICK HOT ROLLED STEEL PER ASTM A572 MIN. YIELD STRENGTH 50 KSI.
3. ALL WELDING TO BE DONE BY WELDERS CERTIFIED UNDER SECTION 5 OF THE AWS CODE D1.1
4. MANUFACTURER TO HAVE IN EFFECT INDUSTRY RECOGNIZED WRITTEN QUALITY CONTROL FOR ALL MATERIALS AND MANUFACTURING PROCESSES

ITEM	PART NUMBER	DESCRIPTION	QTY
1	PPB-107-BP	BASE PLATE	1
2	PPB-107-TC	TOP CAP	1
3	PPB-107-AT	THREADED ROD & NUT	1
4	PPB-107-TP	TOP PLATE	1

DRAWN GDR	DATE 2/13/2025		CONFIDENTIAL. THIS DRAWING AND ITS CONTENTS ARE CONFIDENTIAL AND THE EXCLUSIVE PROPERTY OF EARTH CONTACT PRODUCTS, LLC. NO PUBLICATION, DISTRIBUTION, OR COPIES MAY BE MADE WITHOUT THE WRITTEN CONSENT OF ECP. ALL RIGHTS RESERVED UNDER COPYRIGHT LAW.
DWG NO. SD-PPB-107			
DESCRIPTION ADJUSTABLE CRAWL SPACE JACK		SIZE B	15612 S KEELER TERRACE OLATHE, KS 66062 (913) 393-0007 www.GETECP.com
NOT TO SCALE ALL UNITS IN INCHES U.N.O.			