



MAY 2024 | SECOND ISSUE

## IN THIS ISSUE

- 2 LATEST NEWS
- 3 PRODUCT SPOTLIGHT
- 4 PARTNER SPOTLIGHT
- 5 VENDOR SPOTLIGHT
- 6 CALENDAR OF EVENTS
- 8 DRIVEN 2024
- 9 IMPORTANCE OF ENGINEERS
- 10 DID YOU KNOW?
- 11 VENDORS

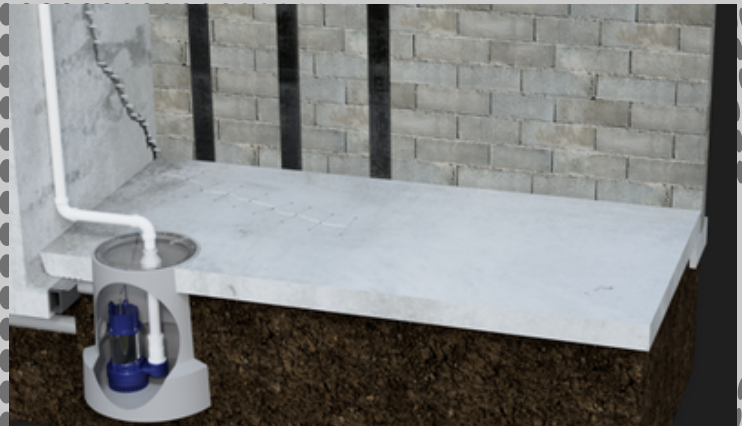
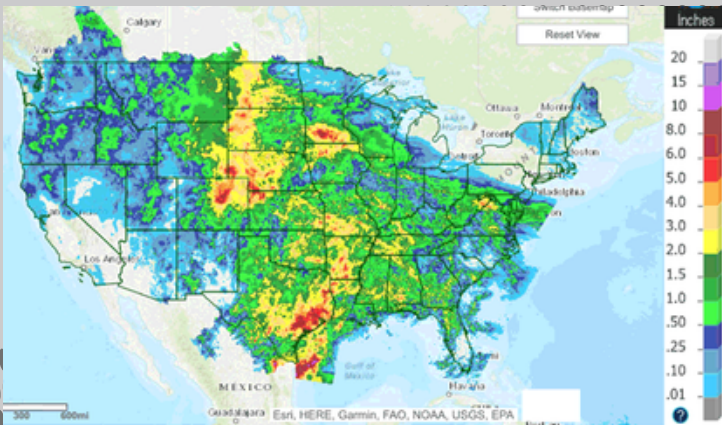
# The Steel Post

Behind every product is a manufacturer's pride



# LATEST NEWS

Last week's widespread rainfall brought relief to drought-stricken areas across the Plains, Midwest, Delta, and parts of the Southeast and Mid-Atlantic. While some regions saw much-needed precipitation, others fell short. Flooding and severe storms posed challenges, but the rain persists.



Prepare for heavy rainfall with ECP Waterproofing! Our expert solutions ensure your home stays protected, even during the toughest downpours. Don't let flooding and water damage ruin your property—trust ECP to keep you covered. Contact us today for peace of mind all season long.

# PRODUCT SPOTLIGHT:

## SECURE LOCK FLOOR SYSTEM



Reintroducing the PPB-107 and PPB-103 (Deck Block Base), innovative solutions for leveling residential floors from within the crawlspace. These products feature an adjustable top plate constructed from 1/2" thick steel, effortlessly sliding over 1-1/4" all-thread for seamless height adjustments. The all-thread includes a tapped steel plug, smoothly fitting into a 3.5" OD pipe. For the PPB-103, the pipe slides over, while the PPB-107 fits into a tube on a sturdy 5/8" thick steel flat plate. These plates rest securely on various surfaces such as concrete deck blocks, composite footing pads, or concrete footings, providing reliable support and leveling for a range of applications. The PPB-107 and PPB-103 are versatile tools designed to make floor leveling efficient and precise.



CSJ-075-016-Crawlspace Jack Designed for Light Duty





## PARTNER SPOTLIGHT:

# Foundation Specialist LLC,

WHETHER IT'S ADDRESSING FOUNDATION SETTLEMENT, BOWING WALLS, OR OTHER STRUCTURAL ISSUES, CLIENTS CAN TRUST FOUNDATION SPECIALIST LLC TO PROVIDE DEPENDABLE, LONG-LASTING RESULTS BACKED BY TOP-NOTCH CUSTOMER SERVICE AND SUPPORT. IN THE WORLD OF FOUNDATION REPAIR, FOUNDATION SPECIALIST LLC SHINES BRIGHTLY AS A PARTNER OF CHOICE, DEDICATED TO HELPING CLIENTS SAFEGUARD THEIR MOST VALUABLE ASSET—THEIR HOME. WITH THEIR EXTENSIVE EXPERIENCE AND EXPERTISE IN FOUNDATION REPAIR AND STABILIZATION, FOUNDATION SPECIALIST LLC BRINGS A WEALTH OF KNOWLEDGE TO THE TABLE. THEY UNDERSTAND THE NUANCES OF LOCAL SOIL CONDITIONS AND BUILDING PRACTICES, ENABLING THEM TO DELIVER TAILORED SOLUTIONS THAT ADDRESS CLIENTS' SPECIFIC NEEDS EFFECTIVELY. THEIR COMMITMENT TO QUALITY WORKMANSHIP ENSURES THAT EVERY PROJECT IS EXECUTED TO THE HIGHEST STANDARDS, PRIORITIZING DURABILITY, SAFETY, AND CUSTOMER SATISFACTION.

# VENDOR SPOTLIGHT:

## > Power Team®



For over 90 years, Power Team, a SPX FLOW brand, has specialized in high-pressure hydraulic technology for diverse industries. Their PE55 series electric pumps have been sought after in foundation repair applications for over 50 years. Utilizing a brushed universal motor the PE55 allows for lower voltage start up and is robust enough for the vigorous start/stop applications typical in push piers and lifting. Their comprehensive range includes hydraulic pumps, jacks, cylinders, valves, and various tools for lifting, lowering, pushing, pulling, clamping, spreading, and torquing activities. With rugged design and advanced coatings, Power Team equipment ensures reliability in demanding applications. They also provide repair, maintenance services, and on-site safety training for customer support.

**SPX FLOW**  
> Power Team®

# CALENDAR

**MAY 7-10**

IFCEE SHOW  
DALLAS, TX  
BOOTH #712

**JUNE 11-13**

HELICAL  
TRAINING

**JULY 30-AUG 1**

WATERPROOFING  
TRAINING

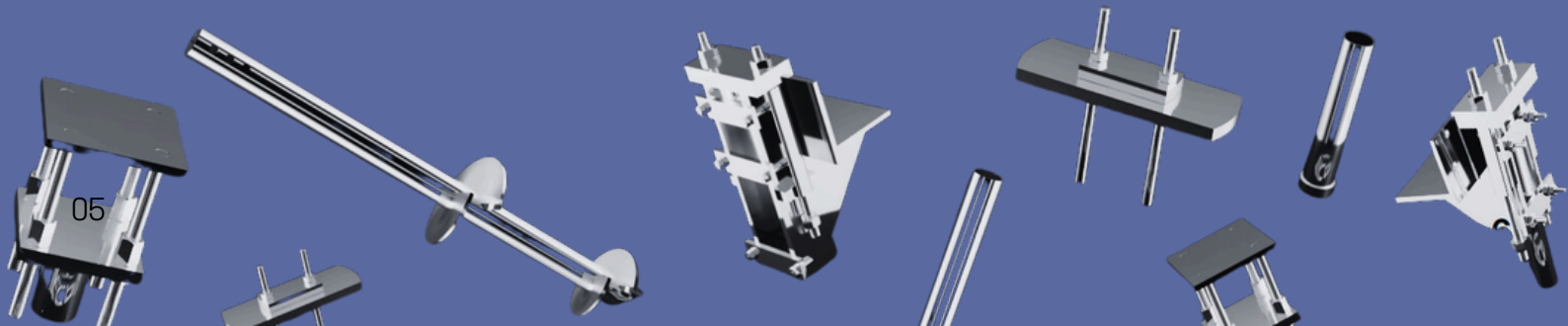
**SEPT 23-25**

DRIVEN

SEE PG. 8

**OCT 7-10**

DFI ANNUAL  
AURORA, CO



# O F E V E N T S

**JULY 10-12**

NFRA SHOW  
FRISCO, TX

**JULY 23-25**

PUSH PIER  
TRAINING

**SEPT 10-12**

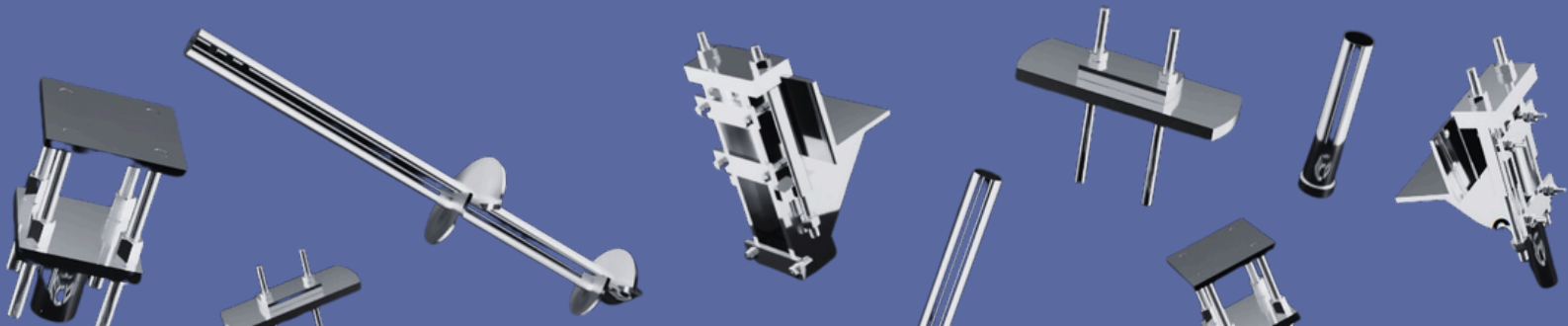
DEEP INJECTION  
TRAINING

**NOV 12-14**

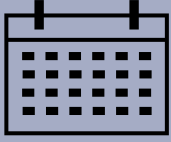
HELICAL  
TRAINING

**DEC 10-12**

PUSH PIER  
TRAINING



# DRIVEN 2024



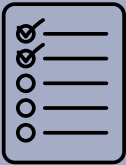
SEPTEMBER 23-25TH



HARRAH'S KANSAS CITY  
ONE RIVERBOAT DR, NORTH  
KANSAS CITY, MO, 64116



OWNERS, SALES,  
PROJECT MANAGERS



- GUEST SPEAKERS
- PROJECT OF THE YEAR AWARD
- NETWORKING



**DRIVEN** is a way to bring our community of partners together to celebrate everyone's success and strengthen the bonds that drive us forward. It's a time to reflect on the milestones we've achieved together, recognize the hard work and dedication of each member, and inspire one another for the journey ahead. Through shared experiences, networking opportunities, and collaborative discussions, we aim to uphold a supportive and collaborative environment where ideas flourish, relationships deepen, and innovation thrives.



PROJECT OF THE YEAR  
SUBMISSIONS ARE OPEN.  
SEND VIDEOS, PICTURES, &  
DESCRIPTIONS OF YOUR  
PROJECT TO  
[marketing@getecp.com](mailto:marketing@getecp.com)  
**DEADLINE AUGUST 1ST**

# FOUNDATION REPAIR: THE IMPORTANCE OF USING AN ENGINEER.

## -GARRETT ROBERTS

From single-story homes to skyscrapers, a reliable foundation is crucial to any structure's lifespan. Proper support and stability are necessary for buildings to withstand the forces of nature and the passage of time. Without the required support for the weight of the building, the foundation will shift within the soil. When foundations become damaged and require repair, it is crucial to hire a professional to make sure the job is done right. In this blog, we will discuss the importance of using an engineer for foundation repair.

Foundation deformation can lead to a myriad of problems that can compromise the safety and structural integrity of the entire building. Some of the potential problems that can arise from foundation issues include:

1. **Structural Damage:** any damage or issues with the foundation can lead to structural damage throughout the building. This can range from cracks in the walls, ceilings, or floors, sagging and uneven floors, and even shifting or sinking of the entire house!
2. **Water Damage:** If the foundation is damaged, it can allow water to seep into the home. This can cause extensive damage to walls, floors, and other structural elements. Additionally, this can lead to mold growth, which can be hazardous to the health of the buildings occupants.
3. **Pest infestations:** Damage to a foundation can create gaps or openings that allow pests such as insects, rodents, or snakes into the home. Once inside, these pests can cause damage to the walls, insulation, and other property within the residence.
4. **Decrease in property value:** Homes with foundation problems can be difficult to sell, and may have a lower resale value than similar homes in the area without such issues.
5. **Safety hazards:** In extreme cases, foundation problems can pose a significant safety concern. Critical safety hazards like collapsing walls or ceilings may lead to severe injury or even death.

As you can see, the importance of fixing foundation issues is no joke. Luckily, ECP has you covered. Our team of qualified engineers is here to help. But how?

The first step to repair any foundation is to understand the problem. Engineers provide the expertise and knowledge to perform a thorough assessment, identify the root of the problem, and recommend a comprehensive solution. Without an engineer's expertise, it can be easy to overlook important details and make mistakes that could lead to even further damage and make the problem worse. An engineer will ensure that the repairs are done correctly. Our team accounts for factors like the type of soil the foundation is built on, the weight of the structure, and any additional loads that may be placed on the foundation, such as heavy equipment or rain. Such detailed analysis is crucial to making sure the right solution is implemented.

Engineers will also ensure that all work follows building codes and regulations. Building codes and regulations vary from state to state, but all foundation repairs must comply with these requirements. An engineer is trained and licensed to understand these codes and will ensure that the repairs are done in compliance with them. This helps to prevent future problems, like fines or legal action, and ensures the safety of the structure for years to come.

Finally, (and maybe most importantly) using an engineer for foundation repair is often more cost-effective in the long run. An engineer will recommend the most cost-effective solution for the problem. They will also ensure the repairs are done in a way that is efficient and cost-effective, minimizing the amount of time and money required for the repair.

Consulting an engineer for foundation repair is a wise investment in the safety and security of your home. They provide a wealth of knowledge and expertise and will ensure that the repairs are done correctly. By hiring an engineer, you can rest assured that your foundation will stay strong and stable for years to come.

# DID YOU KNOW?



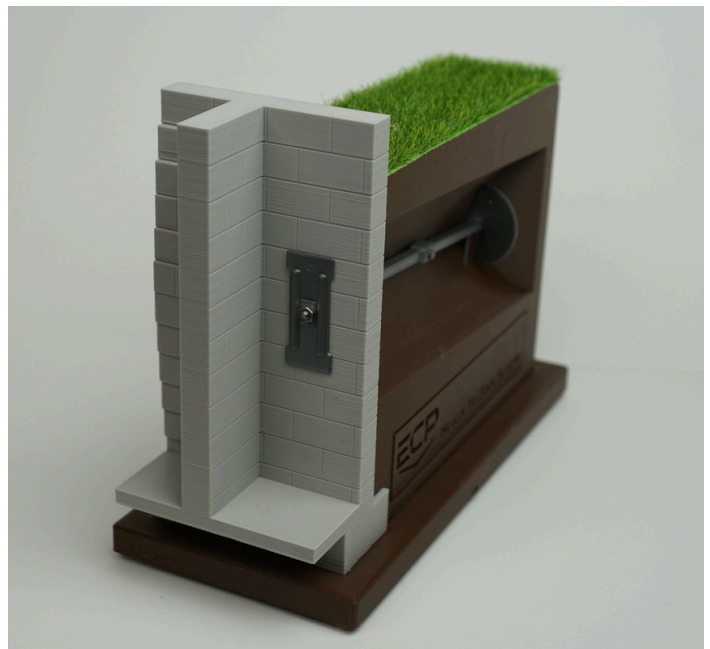
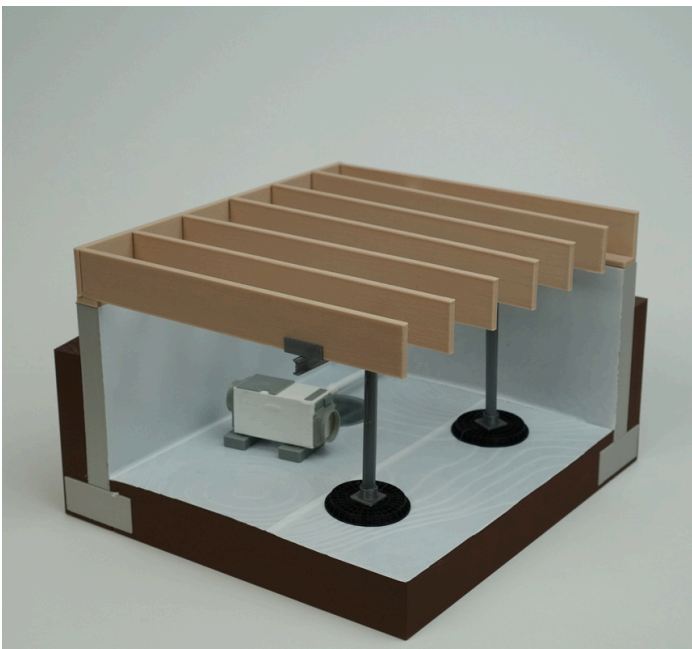
In today's busy world, businesses want to connect with customers in unique ways and stay ahead of rivals. One smart move? 3D models.

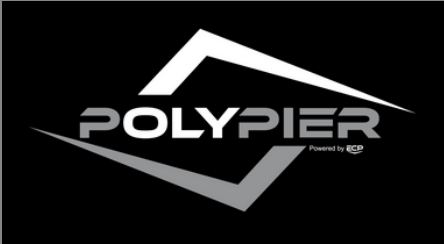
**Benefit 1: Enhanced Product Visualization** 3D product modeling offers improved visualization, allowing customers to view products from all angles and examine every detail, including design, size, shape, and color. This comprehensive view empowers customers to make informed purchasing decisions, ultimately boosting sales for businesses.

**Benefit 2: Enhanced Communication** 3D product modeling facilitates clear communication by allowing businesses to convey product specifications effortlessly. Viewable from any angle, 3D models educate complex features to customers

**Benefit 3: Marketing and Advertising** Marketing aims to capture attention and leave a lasting impact. 3D modeling serves as a secret weapon in your marketing toolkit. From captivating visuals to interactive experiences, 3D models make your brand content unforgettable, driving deeper engagement and resonance with your audience.

**Benefit 4: Competitive Advantage** In a crowded market, standing out is crucial. This is where 3D modeling excels. Brands employing 3D modeling gain a competitive advantage by offering distinctive and remarkable experiences. It's a method to imprint your brand in their memory. 3D modeling offers a dynamic stage to showcase products or services, allowing for innovative presentations that set your brand apart from competitors and foster brand recognition.





• DIVISION OF SUPERIOR TRUCK EQUIPMENT •

