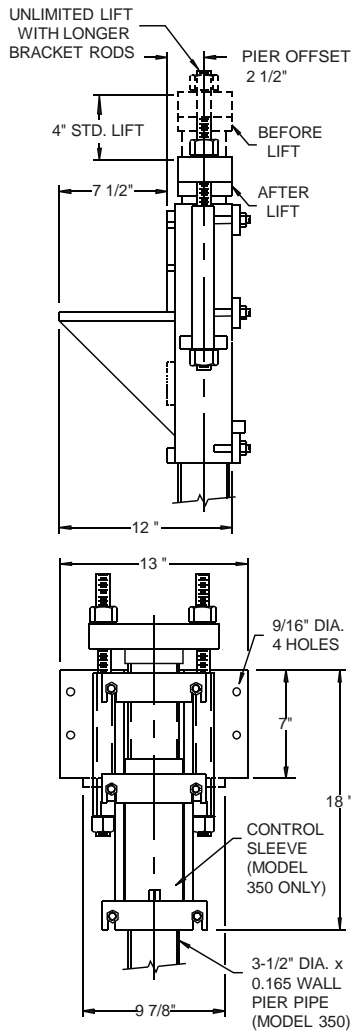
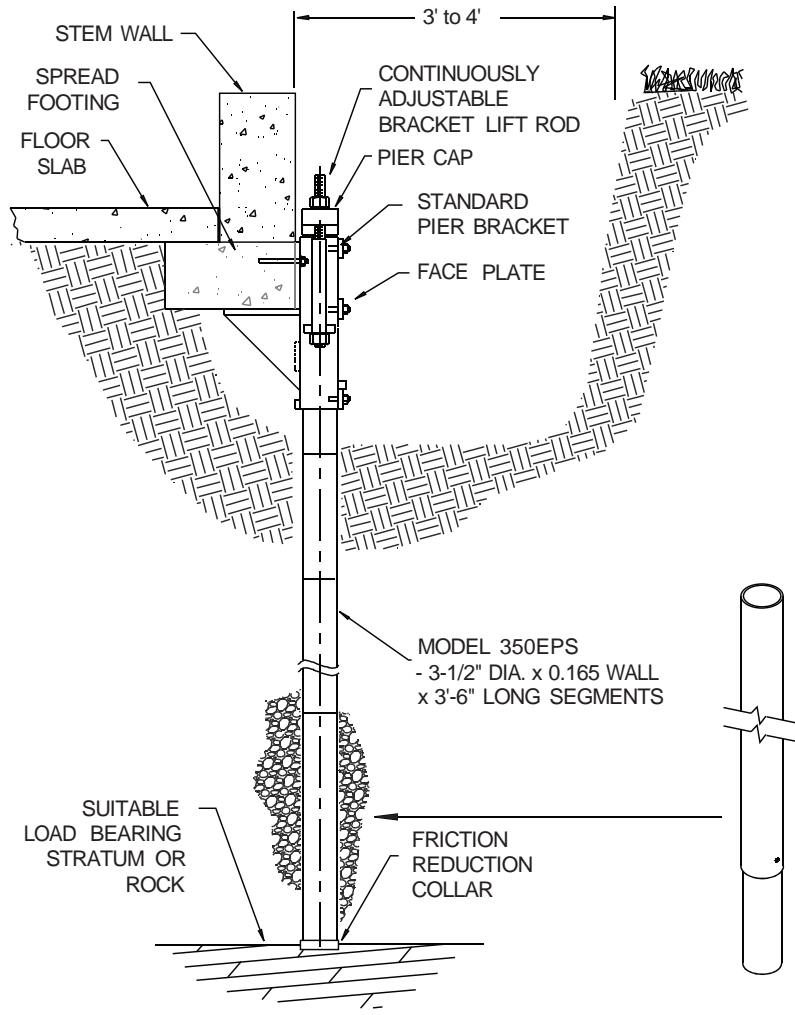


- PPB-350 Ultimate Capacity – 86,000 lb.
- Friction Reduction Collar On Starter Section
- U.S. Patent No. 6,193,422
- Manufacturer's Warranty



**PPB-350**  
Utility Bracket Details



**PPB-350**  
Utility Bracket Application Drawing

INERTIA POWER 350  
INERTIA SLEEVE  
INSTALLS INSIDE  
PIER SECTIONS  
(OPTIONAL)

**PPB-350 Steel Pier**

Part Number	Description	Weight Each	Bundle Quantity	Price Each
PPB-350	PPB-350 Assembly Black, Galv Pipe	206 lbs	8	\$355.00
PPB-350-G	PPB-350 Assembly Galv, Galv Pipe	206 lbs	8	\$409.70
PPB-350-EPS	Extra Pier Sections Galv	22 lbs	19	\$32.75
PPB-350-IP	Inertia Pier Sleeve	23 lbs	1	\$42.60
PPB-350-PC	Pier Coupler	3.5 lbs	20	\$10.55
PPB-350-S	Starter 3-1/2" OD Galv	20 lbs	1	\$37.75
PPB-350-SB	4" OD x 36" Sleeve Black	27 lbs	1	\$45.25
PPB-350/400-DS	Drive Stand	115 lbs	1	\$1,500.00
PPB-350-DSS	Short Drive Stand	80 lbs	1	\$1,500.00

PPB-350 Bracket includes (1) Pier Cap and (2) 18" All-Thread and (4) Heavy Hex Nuts.  
The 14' of Galvanized Pier Material includes: (1) Starter Section w/ Friction Reduction Collar 42" long and (3) Extra Pier Sections 42" long with coupler.