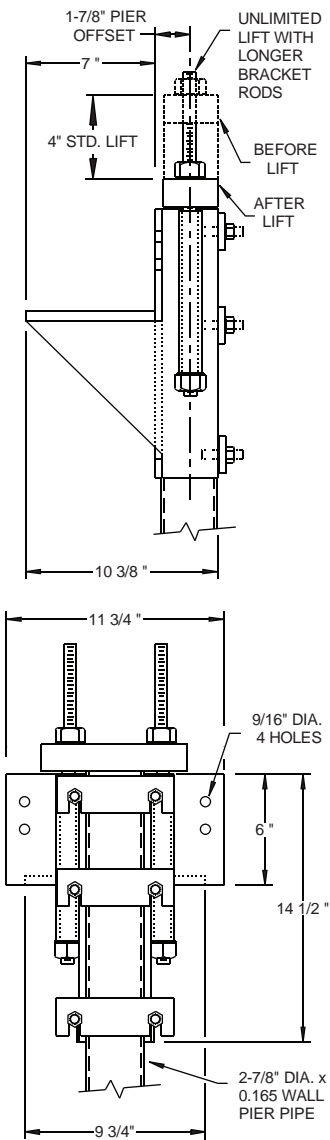
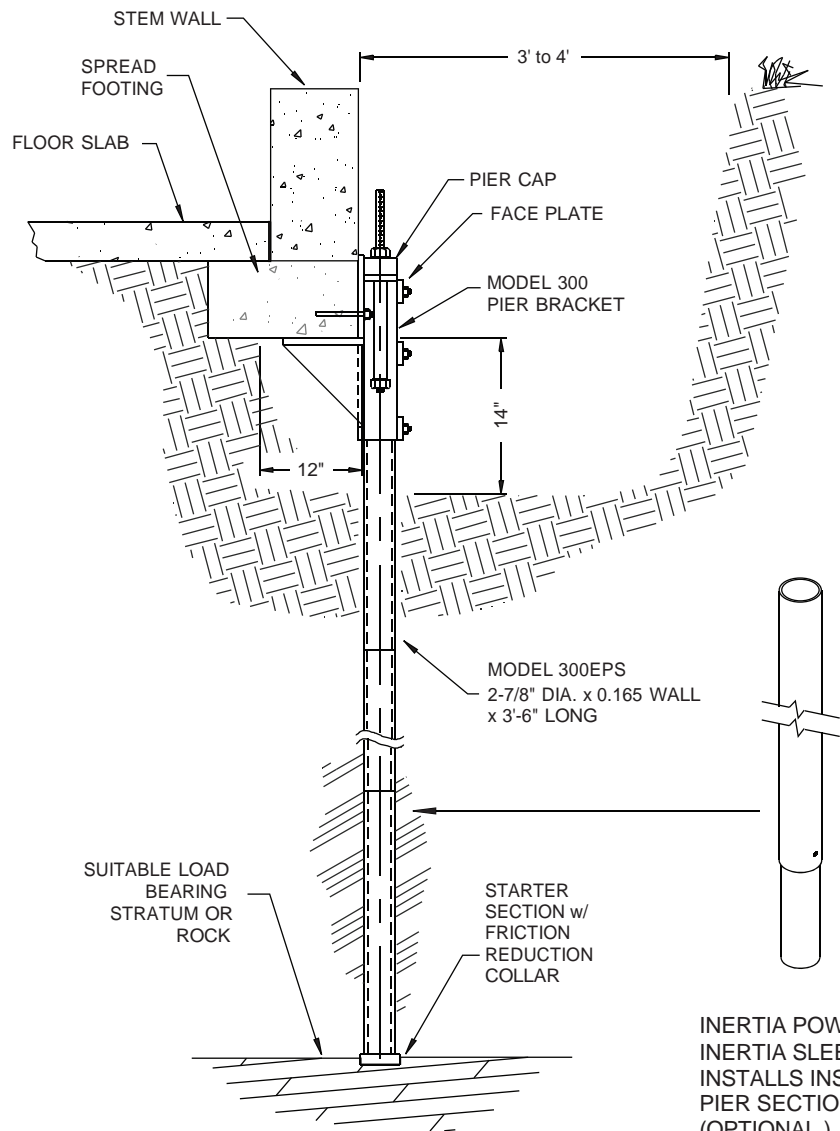


# PPB-300 Eccentric Underpinning Bracket

- PPB-300 Ultimate Capacity – 68,000 lb
- Friction Reduction Collar On Starter Section
- U.S. Patent No. 6,193,422
- Manufacturer's Warranty



**PPB-300**  
Utility Bracket Details



**PPB-300**  
Utility Bracket Application Drawing

INERTIA POWER 300  
INERTIA SLEEVE  
INSTALLS INSIDE  
PIER SECTIONS  
(OPTIONAL)

**PPB-300 Steel Pier**

Part Number	Description	Weight Each	Bundle Quantity	Price Each
PPB-300	PPB-300 Assembly Black, Galv Pipe	137 lbs	8	\$266.25
PPB-300-G	PPB-300 Assembly Galv, Galv Pipe	137 lbs	8	\$289.90
PPB-300-EPS	Extra Pier Sections Galv	17.3 lbs	19	\$27.70
PPB-300-IP	Inertia Pier Sleeve	16.5 lbs	1	\$33.60
PPB-300-PC	Pier Coupler	2.5 lbs	20	\$8.80
PPB-300-S	Starter 2 - 7/8" OD Galv	17 lbs	1	\$31.75
PPB-300-DS	Drive Stand	68 lbs	1	\$1500.00
PPB-300-DSS	Short Drive Stand	65 lbs	1	\$1500.00

PPB-300 Bracket includes (1) Pier Cap and (2) 18" All-Thread and (4) Heavy Hex Nuts.  
The 14' of Galvanized Pier Material includes: (1) Starter Section w/ Friction Reduction Collar 42" long and (3) Extra Pier Sections 42" long with coupler.