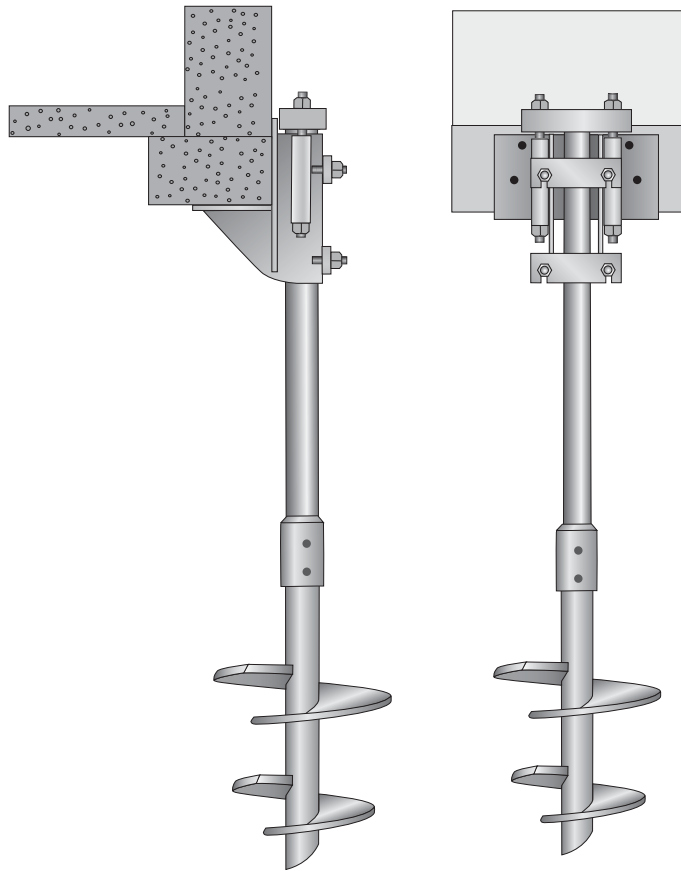


TAB-SUB - Helical Underpinning Bracket



Product Specifications

Anchor Style	Helical
Component	Underpinning Bracket
Ultimate Capacity	40 Kip
Bearing Area	68-1/4 Square Inches
Lift Capacity	4 Inches
Coating	Black (Optional Hot Dip Galvanized)
Standard Package	15
Standard Package Unit	Each Bracket
Weight	53 lbs.

Notes

TAB-SUB has no built in batter.