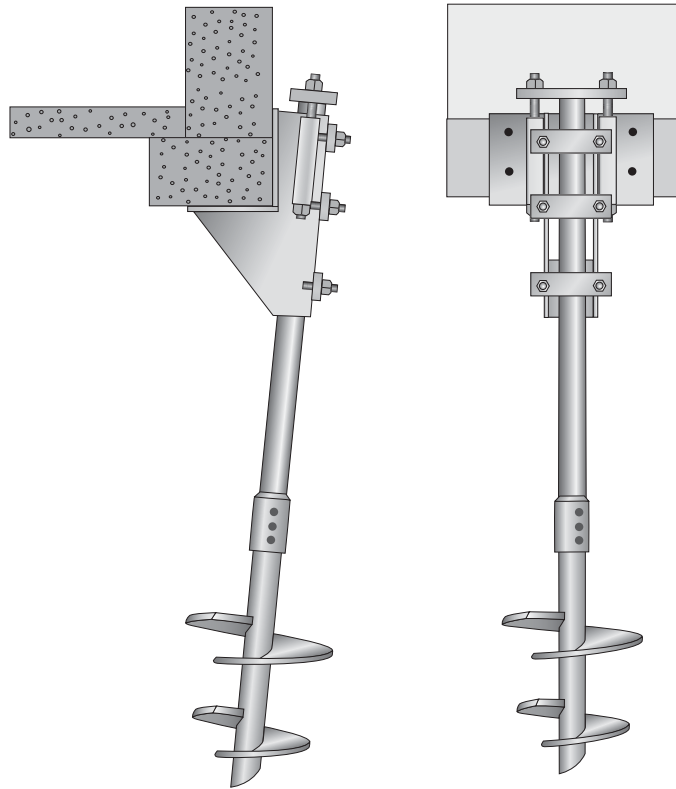


### TAB-LUB - Helical Underpinning Bracket



#### Product Specifications

Anchor Style	Helical
Component	Underpinning Bracket
Ultimate Capacity	98 Kip
Bearing Area	75 Square Inches
Lift Capacity	5-1/2 Inches
Coating	Black (Optional Hot Dip Galvanized)
Standard Package	15
Standard Package Unit	Each Bracket

#### Notes

TAB-LUB can be used on 1-3/4", 2-7/8", or 3-1/2" Material. Pile cap configuration varies to accommodate different shaft sizes.