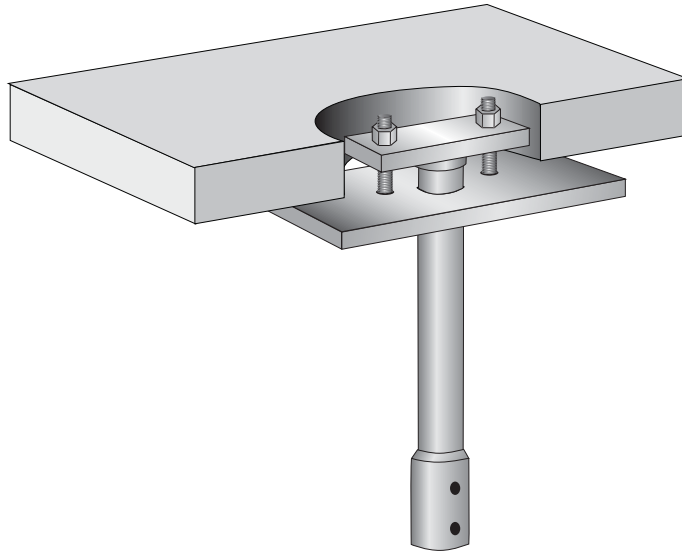


TAB-288-LHSB - Helical Hydraulic Slab Bracket



Product Specifications

Product Style	Helical Hydraulic Slab Bracket
Component	TAB-288-LHSB Heavy Duty Helical Slab Bracket
Ultimate Capacity	20 Kips
Material	A36
Length	12"
Width	8"
Thickness	1"
Access Hole Required	8" Dia
Coating	Black (Galvanized Optional)
Standard Package	1
Weight	40 lbs

Notes

Used with TA-150, TA-175, TA-288L and TA-288 helicals.