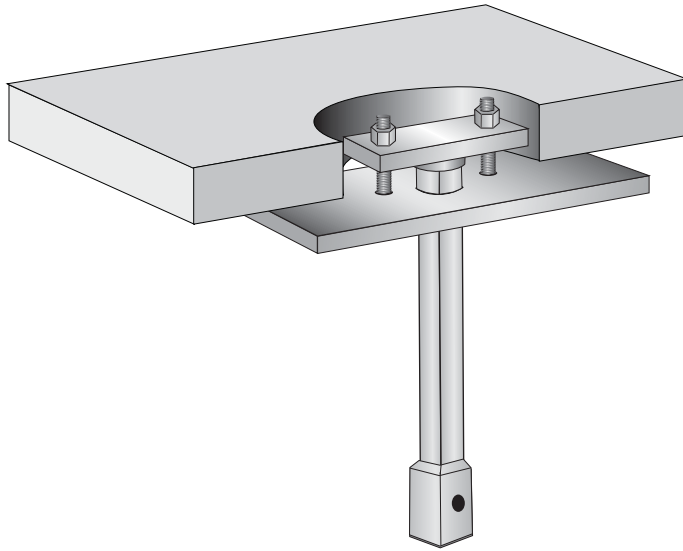


TAB-150-HSB - Helical Hydraulic Slab Bracket



Product Specifications

Product Style	Helical Hydraulic Slab Bracket
Component	TAB-150-HSB Hydraulic Slab Bracket
Ultimate Capacity	22 Kips
Material	A36
Length	16"
Width	6"
Thickness	1"
Access Hole Required	8" Dia
Coating	Black (Galvanized Optional)
Standard Package	1
Weight	48 lbs

Notes

Used with TA-150 helicals.