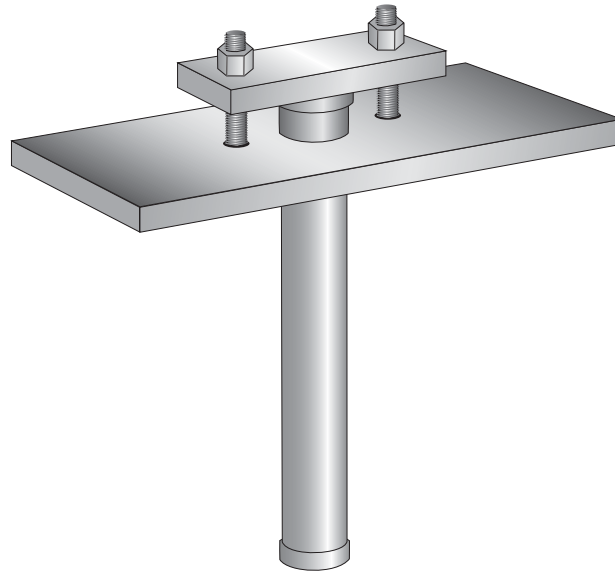


**PPB-166 -- Slab Bracket****Product Specifications**

Anchor Style	Push Pier
Component	Slab Bracket
Ultimate Capacity	22,000 lbs.
Max. Proof Load	16,500 lbs.
Bearing Surface	46 sq. inches
Pier Material	1-1/4" or 2-7/8" Tubular Pier
Lift Capacity	4" Standard, Unlimited Capability
Coating	Black (Galvanized Optional)
Weight	38 lbs.

**Notes**

ECP-Steel Pier - PPB-166 Slab Jack Pier System