



## INSTALLATION GUIDE FOR SECURE LOCK



## INTERIOR WALL BRACE – PERPENDICULAR

# Table of Contents

Survey Site.....	1
Identifying the Installation Area .....	2
Measuring and Marking for Installation .....	2
Preparing the Wall Plate Mounting Area.....	2
Installing the Wall Plate .....	3
Assembling the Interior Wall Brace.....	4
Preparing the I-Beam Install.....	5
Installing & Securing the I-Beam.....	5
Final Inspection & Adjustments.....	5

# Survey Site

- ✓ Call 811, the national call-before-you-dig phone number, to request that the approximate location of buried utilities be marked with paint or flags so that you don't unintentionally dig into any underground utilities
- ✓ Evaluate and record Benchmarks for your job, (An established elevation i.e. Manhole Cover, Fire Hydrant or Gas Meter)
- ✓ Check local laws and regulations regarding licenses and permits
- ✓ Follow all guidelines set by the Occupational Safety and Health Administration (OSHA)
- ✓ Identify and overcome obstacles
- ✓ Take before and after photos
- ✓ For additional product information visit us at [getecp.com](http://getecp.com)



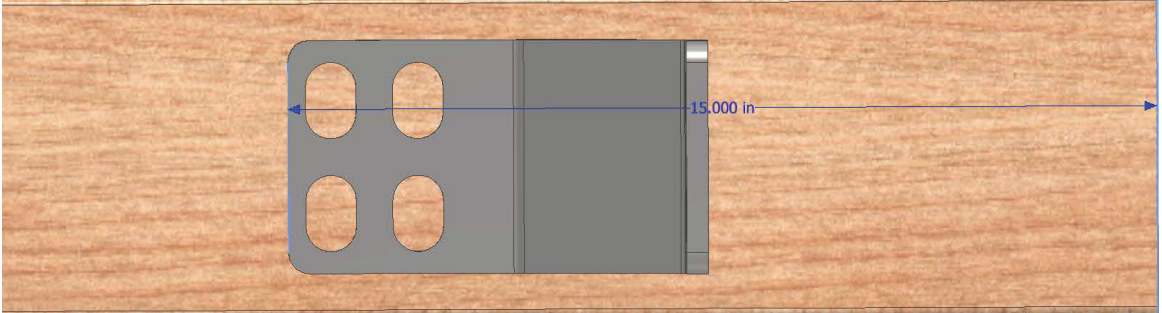
# Identifying the Installation Area

- Identify area of concern.



## Measuring and Marking for Installation

- Measure span of floor joists. Measure from center of one wood beam to center of adjacent wood beam in a straight line.
- Measure 15 inches from the wall along the floor joists and mark the wood with a vertical line. This line will indicate where the back of the wall plate should be.

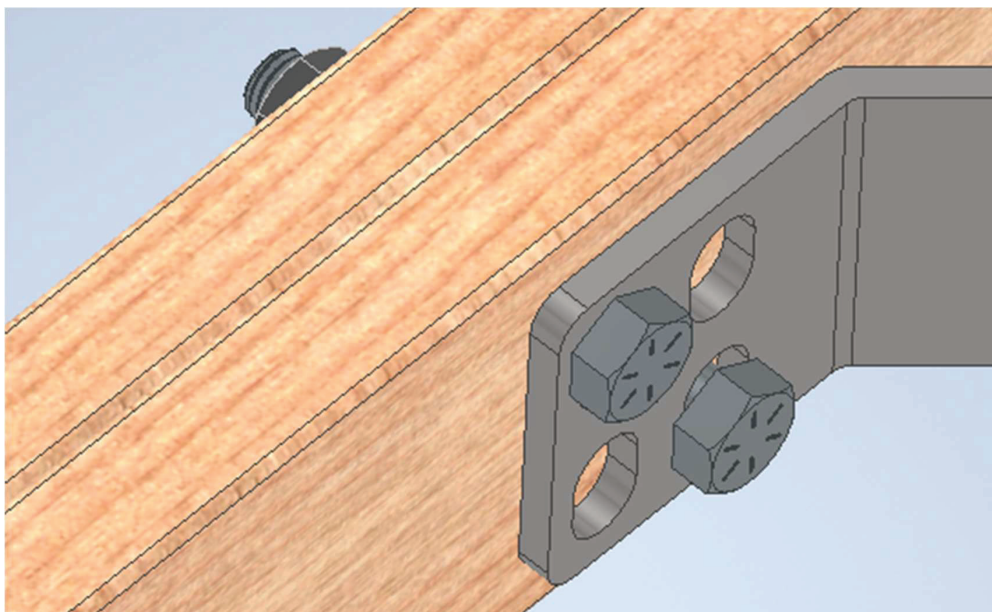


## Preparing the Wall Plate Mounting Area

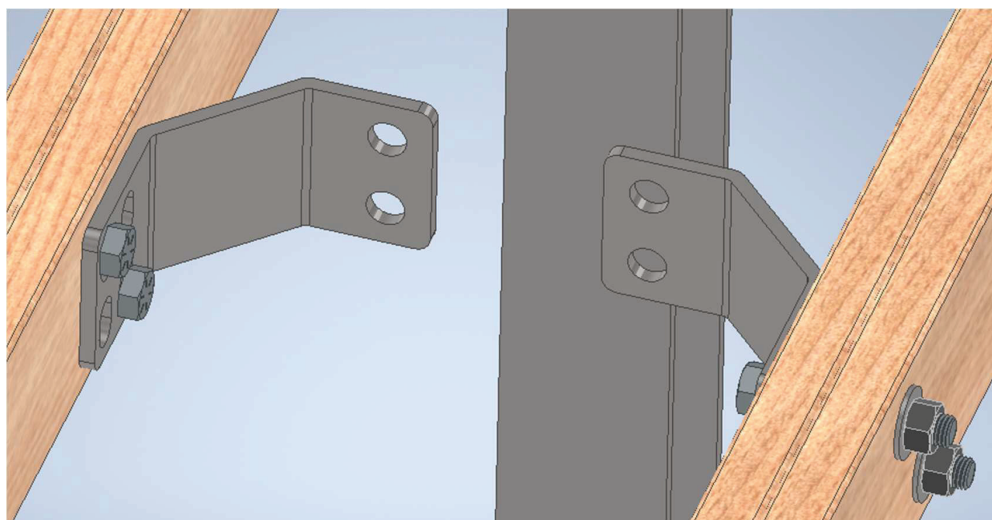
- Trace two of the catty-corner bolt holes and drill  $\frac{3}{4}$ " (0.75 inch) holes.
- Place support wood beams behind floor joist and continue drilling in the same holes through this piece as well.

# Installing the Wall Plate

- Secure the Wall Plate to the floor joists with the Wood Bolts, Hex Nuts, and Washers.

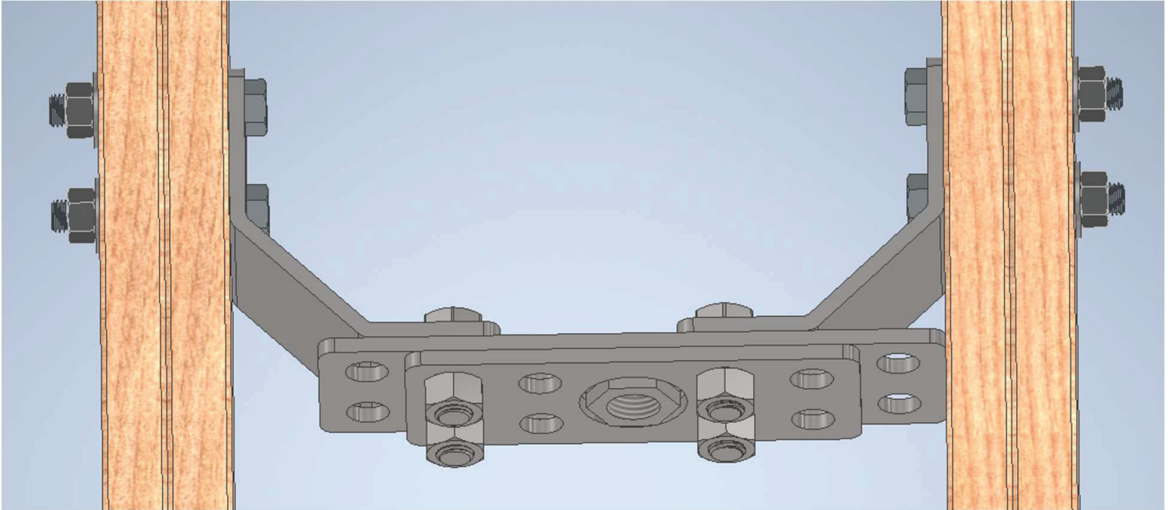


- Repeat for the other side.

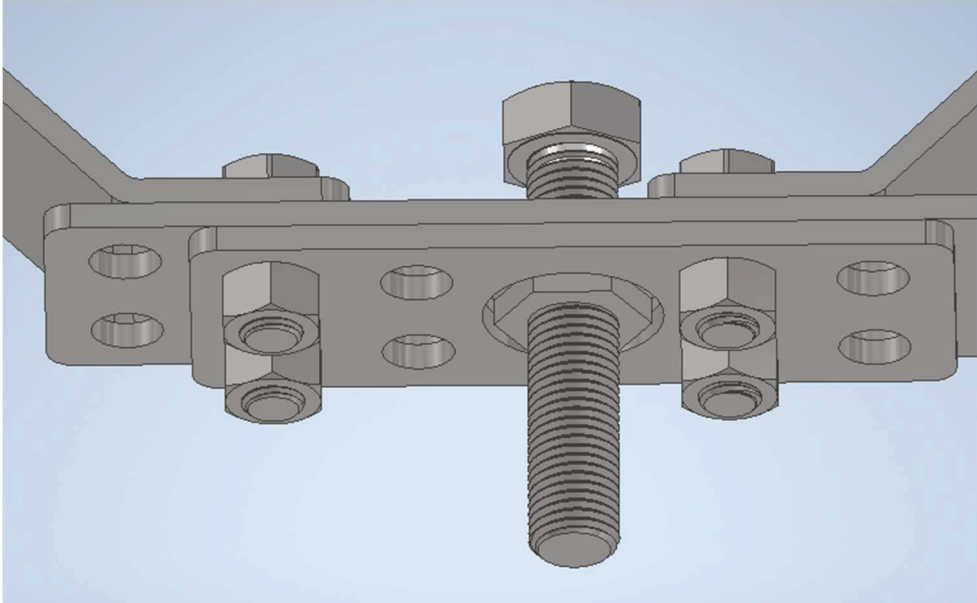


# Assembling the Internal Wall Brace

- Secure the Internal Wall Brace Crux and Wall Brace Support to the Wall Braces via the Connector Screws and Connector Hexes. An example of an 18" span is shown in the image below. Depending on the size of the span, there will be different amounts of available holes. Fill all available holes with screws and hex nuts.



- Begin screwing in the Main Hex Bolt into the Interior Wall Brace Crux.

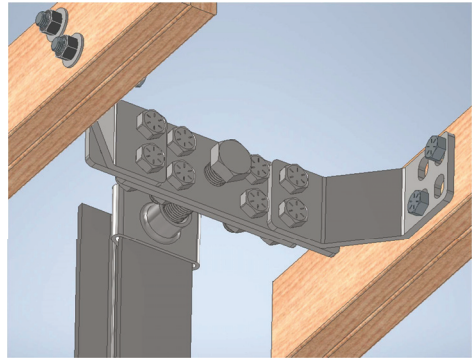
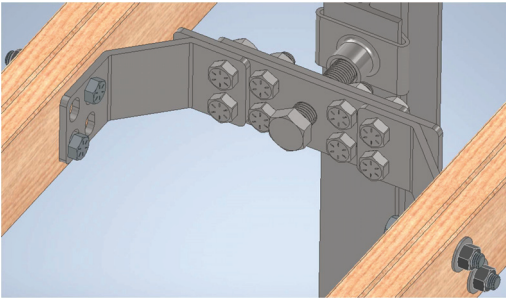


# Preparing the I-Beam Installation Site

- Remove the floor to the footing at the edge of the wall where the I-beam will be placed, directly in line with the Main Hex Bolt.
- Attach beam capture to I-beam close to the top.

# Installing and Securing the I-Beam

- Place I-Beam against the wall at the point of concern.
- Grout the bottom of the I-Beam to the floor.
- Place floor bracket against the I-Beam and secure via concrete screws.
- Screw the Main Hex Bolt in until it aligns with the Beam Capture. Once inserted into the Beam Capture, continue tightening the connection until the I-Beam is completely secure and flush against the wall.



# Final Inspection and Adjustments

- Ensure all components are properly secured.
- Verify stability and alignment of the installed system.



**Certified Installer**



**15612 S. Keeler Terrace  
Olathe, KS 66062  
Phone: 913-298-6749  
Fax: 913-393-0008  
Toll Free: 866-467-2746  
[www.getecp.com](http://www.getecp.com)**