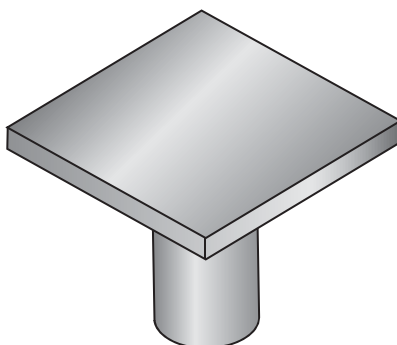




TAB-288L-NC - Helical New Construction Pile Cap



Product Specifications

| | |
|-------------------------------|---------------------------------------|
| Product Style | Helical New Construction Pile Cap |
| Component | TAB-288L-NC New Construction Pile Cap |
| Ultimate Capacity Compression | 55 Kips |
| Material | A36 |
| Length | 6" |
| Width | 6" |
| Thickness | 1/2" |
| Coating | Galvanized or Black |
| Standard Package | 1 |
| Weight | 15 lbs |

Notes

Used with TA-288L helicals.