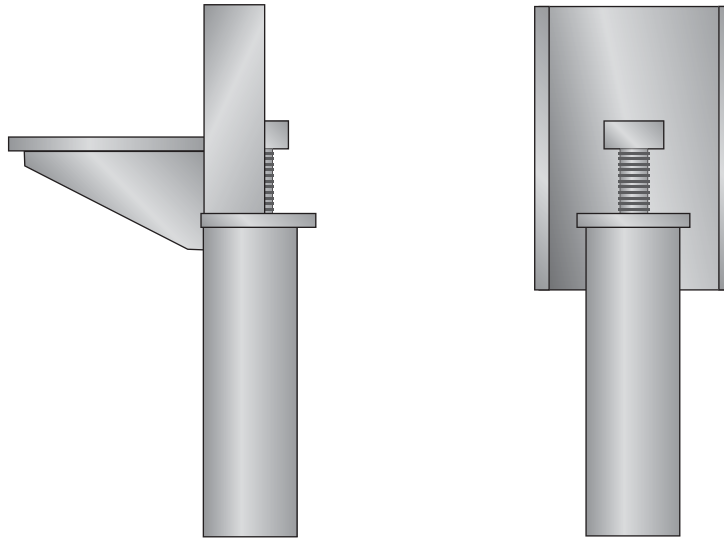




TAB-288-LP - Helical Porph Bracket



Product Specifications	
Product Style	Helical Porph Bracket
Component	TAB-288-LP Porph Bracket
Ultimate Capacity Compression	9 Kips
Material	A36
Length	6"
Width	8"
Max Lift	4-1/2"
Coating	Painted
Standard Package	1
Weight	30 lbs

Notes

Used with TA-288 helicals.