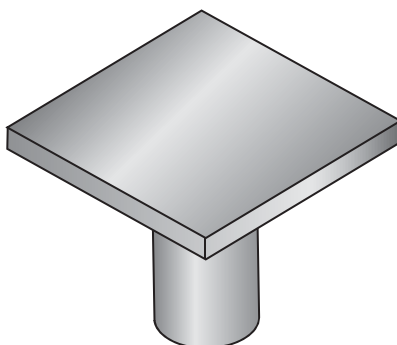




TAB-150-NC - Helical New Construction Pile Cap



Product Specifications

Product Style	Helical New Construction Pile Cap
Component	TAB-150-NC New Construction Pile Cap
Ultimate Capacity Compression	55 Kips
Material	A36
Length	6"
Width	6"
Max Lift	1/2"
Coating	Galvanized or Black
Standard Package	1
Weight	7 lbs

Notes

Used with TA-150 helicals.