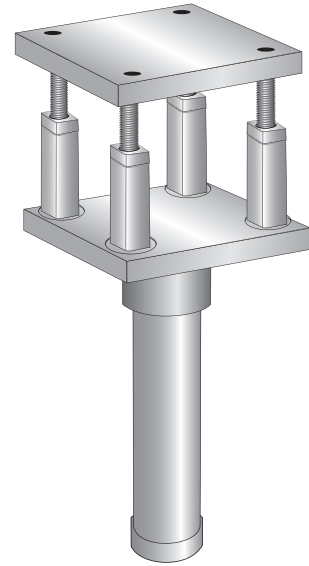




## The ECP Concentric Pier

The Patented ECP Model 200 concentric pier is the latest in steel resistance piercing. The unique design and engineering allows you to use ECP push pier technology directly beneath the load or footing. The steel pier design penetrates the soil deeply beyond the active expansive clay soils to a true end bearing configuration. ECP, the leaders in steel pier technologies, has created the strongest and deepest driving concentric pier system on the market today!



## *Another Choice for Foundation Repair Underpinning!*

No longer do you have to settle for weak, shallow driving under footing piers. The Model 200 pier system drives deeper, lifts larger loads and is more stable than any other concentric pier on the market. The engineers at Earth Contact Products developed this pier to be placed directly under loads for crawl space applications, limited access areas and slab on grade homes.

The Model 200 steel pier was designed to be the strongest foundation pier in the industry by combining galvanized steel pier material with a manifold lifting system. It is installed centrally beneath the footing rather than outside of the footing, thus transferring the structural load directly on top of the pier bracket. Our concentric pier system will achieve the greatest depth while installed in a position to provide the greatest support.

### **Designed to be the strongest foundation structural support in the industry**

- Made of galvanized steel pier material
- Sturdy enough for commercial foundations
- Uses hydraulic manifold lifting system
- Installs with industry leading 10,000 psi system
- Designed by engineers for homeowners

**Creates a deep foundation that exceeds your home's original structural strength!**

**EARTH  
CONTACT  
PRODUCTS**

**1-866-327-0007**

15612 S Keeler Terr.

Olathe, Ks 66062

Phone: 913-393-0007

Fax: 913-393-0008

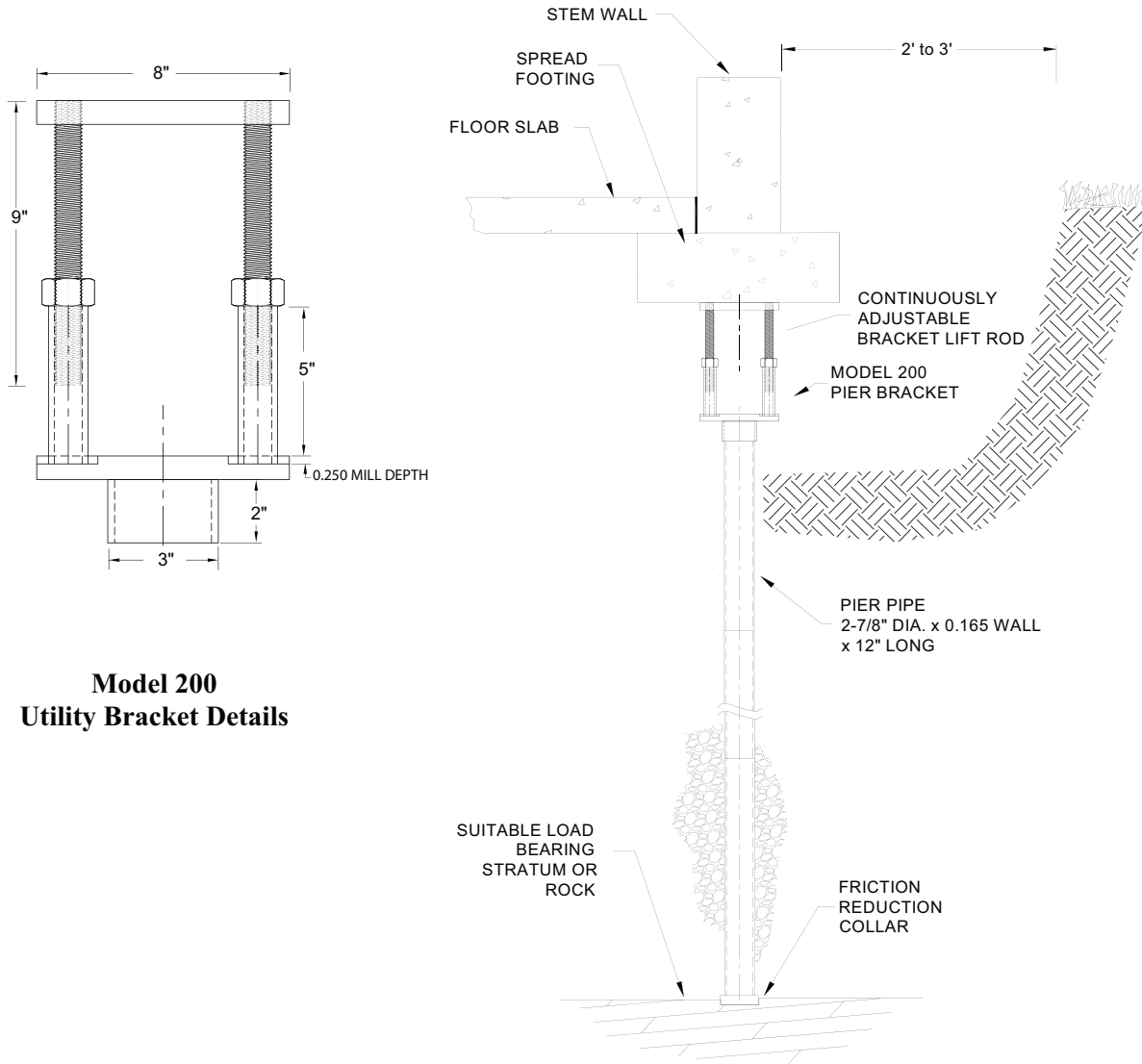
info@getecp.com

www.getecp.com

**ECP**



## ECP Steel Pier™ - Model 200 Utility Bracket Pier System



**Model 200  
Utility Bracket Details**

- Ultimate Capacity – 55,000 lb
- Fully Adjustable Unlimited Lift Capability
- Installs From Outside or Inside Structure
- Friction Reduction Collar On Lead Pier Section
- Installs With Portable Equipment
- Installed With Little or No Vibration
- Installs To Rock or Verified Load Bearing Stratum
- 100% of Piers Field Load Tested During Installation

**EARTH  
CONTACT  
PRODUCTS**

**1-866-327-0007**

15612 S Keeler Terr.  
Olathe, Ks 66062  
Phone: 913-393-0007  
Fax: 913-393-0008  
info@getecp.com  
www.getecp.com

**ECP**